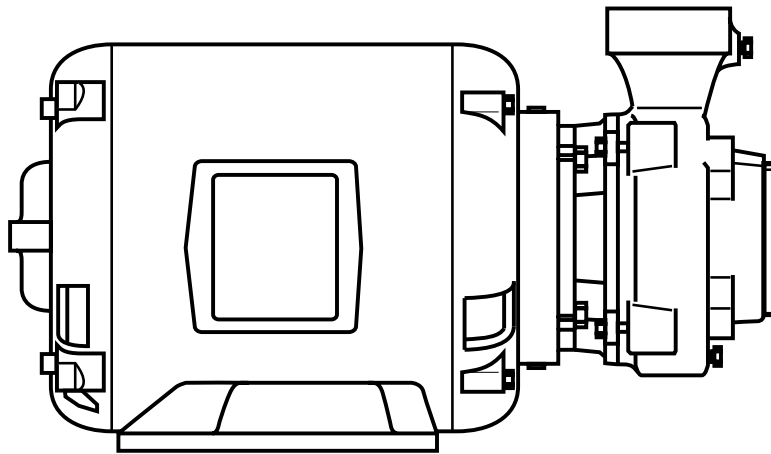


320A SERIES REPAIR PARTS INDEX



READ AND UNDERSTAND THE PUMP AND MOTOR
INSTRUCTIONS BEFORE ATTEMPTING TO INSTALL,
DISASSEMBLE OR REPAIR THE PUMP

320 SERIES
MODELS 321 - 323- 324A

TABLE OF CONTENTS

PUMP MODEL	DESCRIPTION	PAGE
321	EXPLODED VIEW AND PIECE NUMBERS	3
323	EXPLODED VIEW AND PIECE NUMBERS	4
324A	EXPLODED VIEW AND PIECE NUMBERS	5
321	PARTS LIST	6 & 7
323	PARTS LIST	6 & 7
324A	PARTS LIST	6 & 7

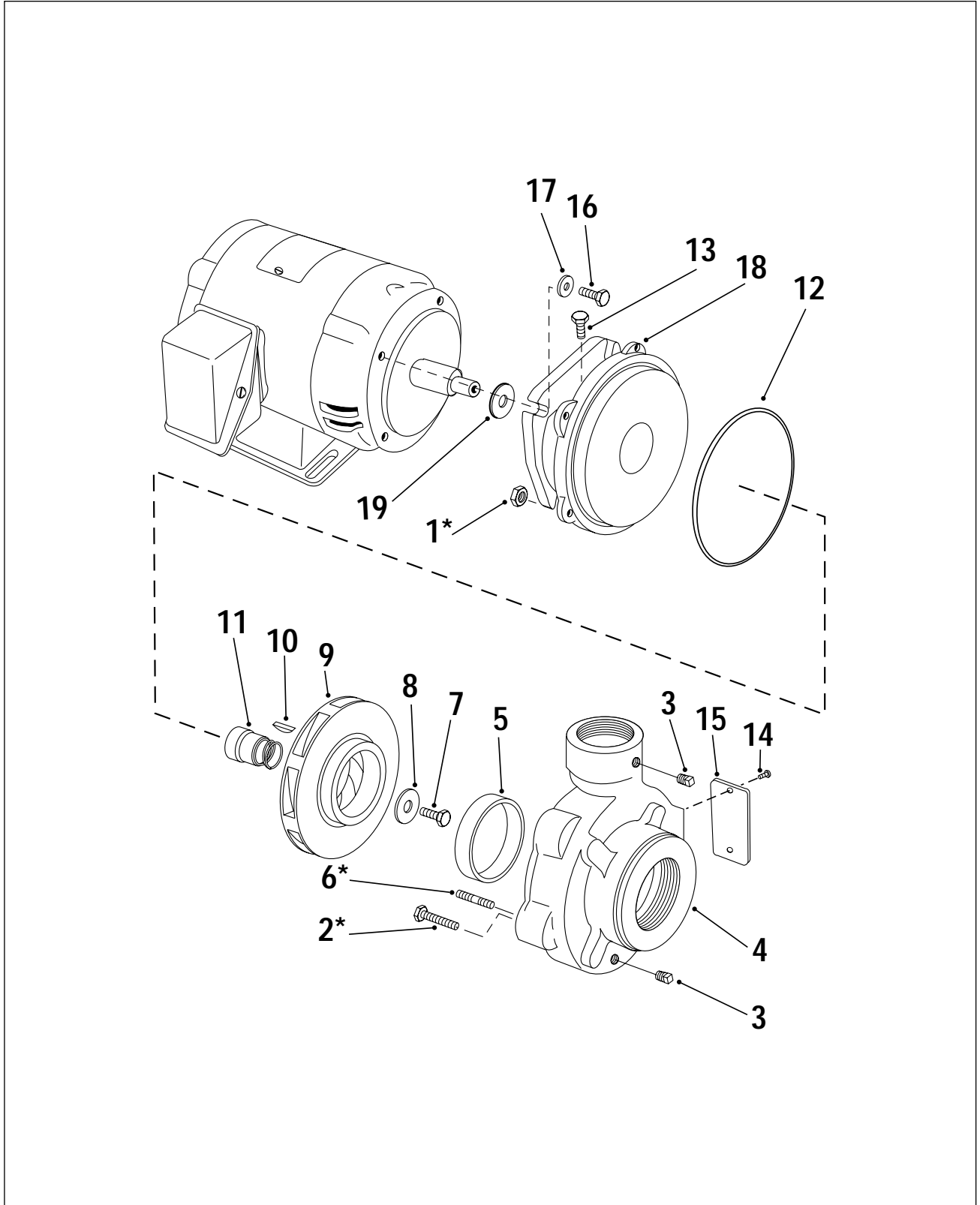
Notes:

1) Model 323 Pumps are not available in all bronze (A.B.) or stainless steel (S.S.) construction.

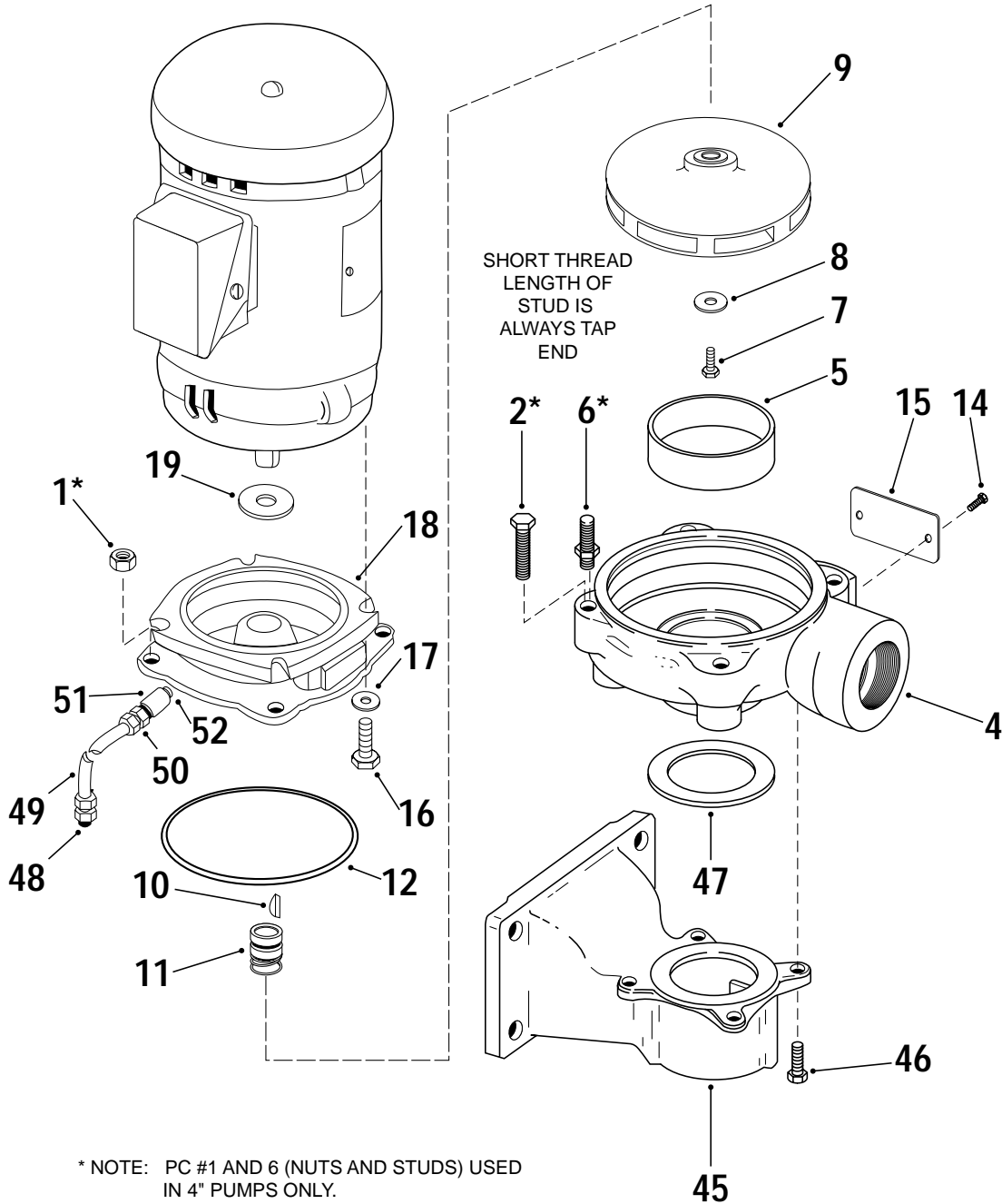
2) Pump sizes 1-1/2 x 2 x 4, 3/4 x 1 x 6A, 3/4 x 1 x 7A, 3/4 x 1 x 7B and 1-1/4 x 1-1/2 x 9 not available in all iron construction.

320 SERIES
MODEL 321
PIECE NUMBERS

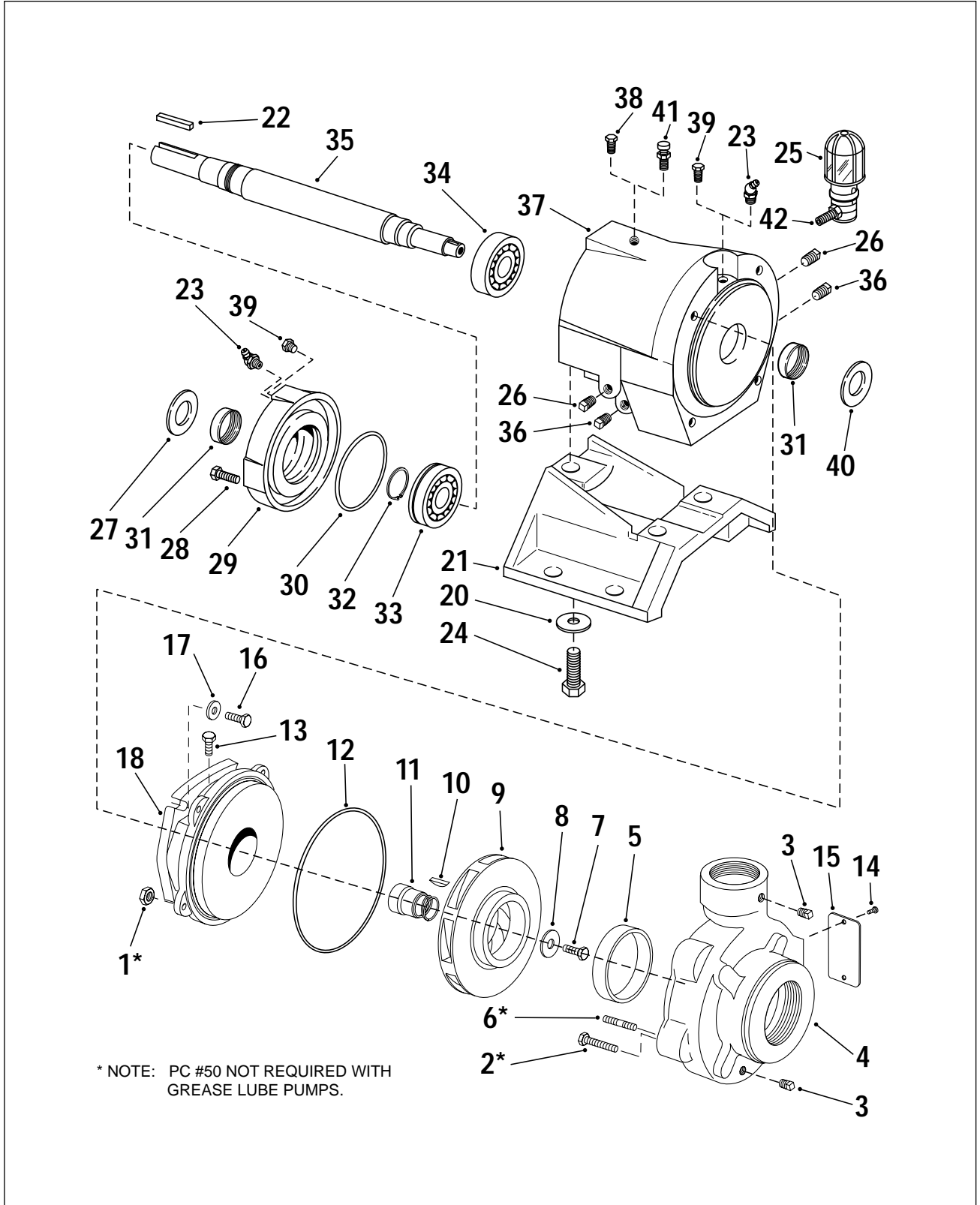
SECTION 320P PAGE 3
DATED FEBRUARY 1999
SUPERSEDES 320P PAGE 3
DATED JUNE 1998



MODEL 323
PIECE NUMBERS



MODEL 324A
PIECE NUMBERS



* NOTE: PC #50 NOT REQUIRED WITH GREASE LUBE PUMPS.

320 SERIES
MODELS 321 - 323- 324A
4" - 5" - 6" - 7" - 9"

PARTS LIST

PC. NO.	DESCRIPTION	QTY	PART NO.	MATERIAL			
				B.F.	A.B.	A.I.	S.S.
1	NUT - 4"	4	544-0109	080	190	080	104
2	CAPSCREW - 5, 6"	4	168-0380	082	190	082	104
	CAPSCREW - 7, 9"	4	168-0488	082	190	082	104
3	PLUG	2	600-0002	087	190	087	104
4	CASING MODEL 321 & 324A PUMPS						
	1 x 1-1/4 x 4	1	180-1520	010	208	010	
	1-1/2 x 2 x 4	1	180-1527	010	208	N/A	
	2 x 2-1/2 x 4	1	180-1530	010	208	010	
	1 x 1-1/4 x 5	1	180-1521	010	208	010	104
	1-1/4 x 1-1/2 x 5	1	180-1523	010	208	010	104
	2 x 2-1/2 x 5	1	180-1531	010	208	010	104
	3/4 x 1 x 6A	1	180-2297	010	208	N/A	
	1 x 1-1/4 x 6	1	180-1522	010	208	010	
	2 x 2-1/2 x 6	1	180-1532	010	208	010	104
	3 x 3 x 6	1	180-1534	010	208	010	104
	3/4 x 1 x 7A & 7B	1	180-1519	010	208	N/A	
	1-1/4 x 1-1/2 x 7A (3500)	1	180-1524	010	208	010	104
	1-1/4 x 1-1/2 x 7B (1750)	1	180-1525	010	208	010	
	1-1/2 x 2 x 7	1	180-1528	010	208	010	
	2 x 2-1/2 x 7	1	180-1533	010	208	010	104
	1-1/4 x 1-1/2 x 9	1	180-1526	010	208	N/A	
4	CASING MODEL 323 PUMPS						
	1 x 1-1/4 x 4	1	180-1541	010		010	
	1-1/2 x 2 x 4	1	180-1548	010		N/A	
	2 x 2-1/2 x 4	1	180-1551	010		010	
	1 x 1-1/4 x 5	1	180-1542	010		010	
	1-1/4 x 1-1/2 x 5	1	180-1544	010		010	
	2 x 2-1/2 x 5	1	180-1552	010		010	
	3/4 x 1 x 6A	1	180-2298	010		N/A	
	1-1/4 x 1 x 6	1	180-1543	010		010	
	2 x 2-1/2 x 6	1	180-1553	010		010	
	3 x 3 x 6	1	180-1555	010		010	
	3/4 x 1 x 7A & 7B	1	180-1540	010		N/A	
	1-1/4 x 1-1/2 x 7A (3500)	1	180-1545	010		010	
	1-1/4 x 1-1/2 x 7B (1750)	1	180-1546	010		010	
	1-1/2 x 2 x 7	1	180-1549	010		010	
	2 x 2-1/2 x 7	1	180-1554	010		010	
	1-1/4 x 1-1/2 x 9	1	180-1547	010		N/A	

PC. NO.	DESCRIPTION	QTY	PART NO.	MATERIAL			
				B.F.	A.B.	A.I.	S.S.
5	RING MODEL 321, 323, 324A PUMPS						
	1 x 1-1/4 x 4	1	676-1547	208	208	010	
	1-1/2 x 2 x 4	1	676-1549	208	208	N/A	
	2 x 2-1/2 x 4	1	676-1549	208	208	010	
	1 x 1-1/4 x 5	1	676-1548	208	208	010	104
	1-1/4 x 1-1/2 x 5	1	676-1548	208	208	010	104
	2 x 2-1/2 x 5	1	676-1549	208	208	010	104
	3/4 x 1 x 6A	1	676-1464	208	208	N/A	
	1 x 1-1/4 x 6	1	676-1548	208	208	010	
	2 x 2-1/2 x 6	1	676-1549	208	208	010	104
	3 x 3 x 6	1	676-1550	208	208	010	104
	3/4 x 1 x 7A & 7B	1	676-1464	208	208	N/A	
	1-1/4 x 1-1/2 x 7	1	676-1548	208	208	010	104
	1-1/2 x 2 x 7	1	676-1549	208	208	010	
	2 x 2-1/2 x 7	1	676-1549	208	208	010	104
	1-1/4 x 1-1/2 x 9	1	676-1548	208	208	N/A	
6	STUD - 4"	4	808-0105	082	190	082	
7	CAPSCREW, IMP.	1	168-0255	104	104	104	104
8	WASHER	1	908-0599	104	104	104	104
9	IMPELLER MODEL 321, 323, 324A PUMPS						
	1 x 1-1/4 x 4	1	443-1787	225	225	010	
	1-1/2 x 2 x 4	1	443-1794	225	225	N/A	
	2 x 2-1/2 x 4	1	443-1797	225	225	010	
	1 x 1-1/4 x 5	1	443-1788	225	225	010	104
	1-1/4 x 1-1/2 x 5	1	443-1790	225	225	010	104
	2 x 2-1/2 x 5	1	443-1798	225	225	010	104
	3/4 x 1 x 6A	1	443-1708	225	225	N/A	
	1 x 1-1/4 x 6	1	443-1789	225	225	010	
	2 x 2-1/2 x 6	1	443-1799	225	225	010	104
	3 x 3 x 6	1	443-1801	225	225	010	104
	3/4 x 1 x 7A (3500)	1	443-1785	225	225	N/A	
	3/4 x 1 x 7B (1750)	1	443-1786	225	225	N/A	
	1-1/4 x 1-1/2 x 7A (3500)	1	443-1791	225	225	010	104
	1-1/4 x 1-1/2 x 7B (1750)	1	443-1792	225	225	010	
	1-1/2 x 2 x 7	1	443-1795	225	225	010	
	2 x 2-1/2 x 7	1	443-1800	225	225	010	104
	1-1/4 x 1-1/2 x 9	1	443-1793	225	225	N/A	

**320 SERIES
MODELS 321 - 323- 324A
4" - 5" - 6" - 7" - 9"**

SECTION 320P PAGE 7
DATED FEBRUARY 1999
SUPERSEDES 320P PAGE 7
DATED JUNE 1998

PARTS LIST

PC. NO.	DESCRIPTION	QTY	PART NO.	MATERIAL			
				B.F.	A.B.	A.I.	S.S.
10	KEY	1	472-0105	100	100	100	104
11	SEAL	1	712-1004	749	764	749	764
12	GASKET - 4"	1	364-0429	457	457	457	
	5"	1	364-0437	457	457	457	457
	6"	1	364-0446	457	457	457	457
	7"	1	364-0452	457	457	457	457
	9"	1	364-0460	457	457	N/A	
13	PIPE PLUG 321, 324A	1	600-0001	087	190	087	104
14	DRIVE SCREW	2	708-0013	365	365	365	365
15	NAMEPLATE	1	532-0045	114	114	114	114
16	CAPSCREW	4	168-0380	082	082	082	082
17	WASHER	4	908-0112	080	080	080	080
18	BRACKET - 4"	1	116-0244	010	208	010	
	5"	1	116-0234	010	208	010	104
	6"	1	116-0235	010	208	010	104
	7"	1	116-0233	010	208	010	104
	9"	1	116-0241	010	208	N/A	
19	SLINGER 321, 323	1	764-1002	478	478	478	478
THE FOLLOWING PARTS ARE USED FOR MODEL 324A PUMPS ONLY							
20	WASHER	3	908-0114	360	360	360	
21	SUPPORT	1	820-0190	010	010	010	
22	KEY	1	472-0206	087	087	087	
23	GREASE FITTING	2	508-0005	651	651	651	
24	CAPSCREW	3	168-0488	082	082	082	
25	OILER	1	552-0029	652	652	652	
26	PIPE PLUG	2	600-0002	087	087	087	
27	SLINGER	1	764-1015	478	478	478	
28	CAPSCREW	4	168-0388	082	082	082	
29	CAP	1	164-0470	010	010	010	
30	GASKET (OIL LUBE)	1	364-0423	457	457	457	
31	GREASE SEAL	2	712-0231	653	653	653	
	OIL SEAL	2	712-0016	653	653	653	
32	RETAINER RING	1	676-0929	088	088	088	
33	O.B. BEARING						
	STANDARD OPEN SEALED PERM LUBE	1	068-2206	647	647	647	
34	I.B. BEARING						
	STANDARD OPEN SEALED PERM LUBE	1	068-1907	647	647	647	
35	SHAFT	1	728-0124	107	104	107	
36	PLUG	2	600-0002	087	087	087	
37	FRAME OIL LUBE	1	356-0231	010	010	010	
	GREASE LUBE	1	356-0201	010	010	010	

PC. NO.	DESCRIPTION	QTY	PART NO.	MATERIAL			
				B.F.	A.B.	A.I.	S.S.
38	PIPE PLUG	1	600-0002	087	190	087	
39	PIPE PLUG	2	600-0001	087	190	078	
40	SLINGER	1	764-1002	478	478	478	
41	BREATHER	1	864-0051	656	656	656	
42	NIPPLE	1	600-1204	387	387	387	
THE FOLLOWING PARTS ARE USED FOR MODEL 323 PUMPS ONLY							
45	BASE						
	1 x 1-1/4 x 4	1	816-0861	010		010	
	1-1/2 x 2 x 4	1	816-0863	010		N/A	
	2 x 2-1/2 x 4	1	816-0863	010		010	
	1 x 1-1/4 x 5	1	816-0862	010		010	
	1-1/4 x 1-1/2 x 5	1	816-0862	010		010	
	2 x 2-1/2 x 5	1	816-0863	010		010	
	3/4 x 1 x 6A	1	816-0862	010		N/A	
	1 x 1-1/4 x 6	1	816-0862	010		010	
	2 x 2-1/2 x 6	1	816-0863	010		010	
	3 x 3 x 6	1	816-0917	010		010	
	3/4 x 1 x 7	1	816-0876	010		N/A	
	1-1/4 x 1-1/2 x 7	1	816-0876	010		010	
	1-1/2 x 2 x 7	1	816-0863	010		010	
	2 x 2-1/2 x 7	1	816-0863	010		010	
1-1/4 x 1-1/2 x 9	1	816-0876	010		N/A		
46	CAPSCREW	4	168-0382	082		082	
47	GASKET						
	3/4, 1, 1-1/4	1	364-1144	603		603	
	1-1/2, 2, 2-1/2	1	364-1145	603		603	
3	1	364-1149	603		603		
48	FITTING	1	868-3358	190		087	
49	TUBING	1	872-0124	175		087	
50	FITTING	1	868-3358	190		087	
51	COUPLING	1	600-0720	387		387	
52	NIPPLE	1	600-1156	387		387	



NOTE:
Aurora Pump reserves the right to make revisions to its products and their specifications, and to this bulletin and related information without notice

Aurora Pumps
800 Airport Road
North Aurora, IL 60542
phone: 630-859-7000
fax: 630-859-7060