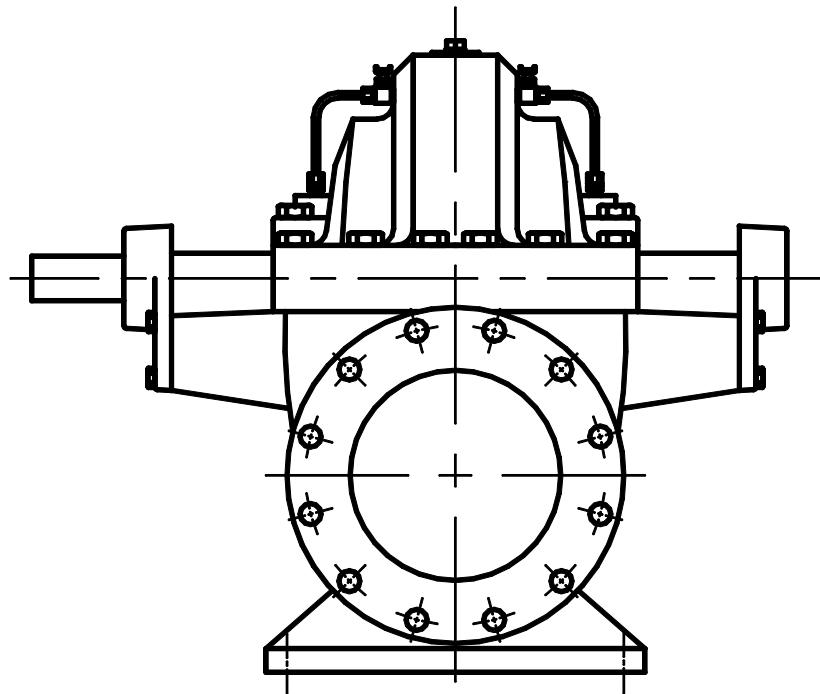


INSTALLATION,
OPERATION AND
MAINTENANCE
INSTRUCTIONS
FOR

MODEL 441
HORIZONTAL SPLIT CASE
&
MODEL 491
SPLIT CASE FIRE PUMP



ap AURORA®
Pentair Water

TOPIC	PAGE
PUMP IDENTIFICATION	1
STORAGE OF PUMPS	2
CAUTION NOTES	2
INTRODUCTION.	3
INSTALLATION	
1. General	3
2. Net Positive Suction Head (NPSH)	3
3. Minimum Submergence of Suction Pipe and Pit Design	4
4. Location and Handling	4
5. Foundation	4
6. Leveling of Unit	4
7. Grouting	5
8. Piping	5
9. Auxiliary Piping Connections and Gauges	5
10. Constant Level Oiler – Oil Lubricated Pumps	5-6
11. Final Coupling Alignment	6-7
12. Flexible Shaft Alignment	7
13. Rotation	7
14. Mechanical Seals	8
OPERATION	
1. Operating at Reduced Capacity	9
2. Priming	9
3. Starting the Pump	10
4. Bearing Operating Temperature	10
5. Troubleshooting Operating Problems	10
MAINTENANCE	
1. Maintenance History	11
2. Inspections and Preventive Maintenance Requirements	12
3. Bearing Lubrication	
Grease-Lubricated Bearings	12
Oil-Lubricated Bearings	12-13
4. Packing Box	13
5. Packing Replacement	13-14
6. Pump Disassembly	14-15
7. Pump Assembly	16-18
REPAIR PARTS	19
RECOMMENDED SPARE PARTS.	19
NOTES	20-22
CROSS-SECTIONAL DRAWINGS AND PARTS LISTS	23-24

PUMP IDENTIFICATION

Congratulations! You are the owner of one of the finest pumps commercially available. If you give it the proper care as outlined and recommended by this manual, it will provide you with reliable service and long life.

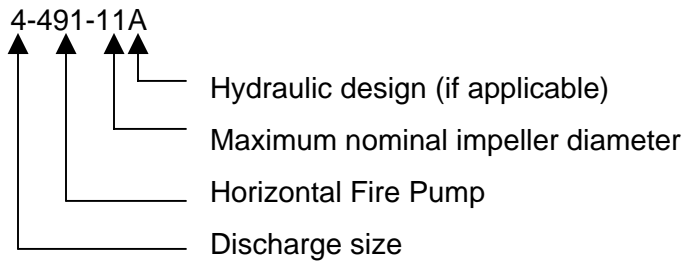
441 & 491 SPLIT CASE PUMPS

Your Aurora Model 441 & 491 is a Split Case Pump, meaning the casing is split along the horizontal centerline. This new compact design, with its shorter bearing span, has less deflection under hydraulic load which results in less wear on the sleeves, bearings and packing. It is ideally suited for applications such as water systems, boosters, liquid transfer, irrigation and Fire Protection Systems. These pumps are available with a wide variety of options including mechanical seals, impeller wear rings, oil-lubricated and water-cooled bearings. Some options may not be available on Model 491 Fire Pumps.

This manual applies to:

- X-441-XXX Horizontal Split Case Pumps
- X-491-XXX Horizontal Split Case Fire Pumps

Example:



Carefully record all the following data from your pump nameplate. It will aid in obtaining the correct replacement parts in the future.

FIGURE (MODEL): _____	SERIAL NUMBER: _____
IMPELLER DIAMETER: _____	SIZE: _____
CAPACITY: _____ GPM	TOTAL HEAD _____ FT.
RPM: _____	

DRIVER	
HORSEPOWER: _____	SERIAL NUMBER: _____
SPEED: _____ RPM	VOLTAGE: _____
MANUFACTURER: _____	FRAME: _____

THESE INSTRUCTIONS APPLY TO THE PUMP ONLY. THEY ARE INTENDED TO BE GENERAL AND NOT SPECIFIC. IF YOUR OPERATING CONDITIONS EVER CHANGE, ALWAYS REFER TO THE FACTORY FOR REAPPLICATION. ALWAYS REFER TO THE MANUALS PROVIDED BY MANUFACTURERS OF THE OTHER EQUIPMENT FOR THEIR SEPARATE INSTRUCTIONS.

CAUTION IMPORTANT SAFETY NOTICE

THE INSTALLATION, USE AND OPERATION OF THIS TYPE OF EQUIPMENT IS AFFECTED BY VARIOUS FEDERAL, STATE AND LOCAL LAWS AND THE REGULATIONS CONCERNING OSHA. COMPLIANCE WITH SUCH LAWS RELATING TO PROPER INSTALLATION AND SAFE OPERATION OF THIS TYPE OF EQUIPMENT IS THE RESPONSIBILITY OF THE EQUIPMENT OWNER AND ALL NECESSARY STEPS SHOULD BE TAKEN BY THE OWNER TO ASSURE COMPLIANCE WITH SUCH LAWS BEFORE OPERATING THE EQUIPMENT.

STORAGE OF PUMPS

IF THE EQUIPMENT IS NOT TO BE IMMEDIATELY INSTALLED AND OPERATED, STORE IT IN A CLEAN, DRY, WELL-VENTILATED PLACE, FREE FROM VIBRATION, MOISTURE AND RAPID OR WIDE VARIATIONS IN TEMPERATURE.

SPECIAL INSTRUCTIONS FOR:

OIL-LUBRICATED PUMPS: FILL THE BEARING RESERVOIRS WITH OIL. PRIOR TO START-UP, DRAIN THE STORAGE OIL AND FILL THE RESERVOIRS WITH NEW OIL.

GREASE-LUBRICATED PUMPS: ROTATE THE SHAFT FOR SEVERAL REVOLUTIONS AT LEAST ONCE EVERY TWO WEEKS TO:

1. COAT THE BEARING WITH LUBRICANT.
2. RETARD OXIDATION OR CORROSION AND,
3. PREVENT POSSIBLE FALSE BRINELLING.

CONSIDER A UNIT IN STORAGE WHEN:

1. IT HAS BEEN DELIVERED TO THE JOBSITE AND IS AWAITING INSTALLATION.
2. IT HAS BEEN INSTALLED BUT OPERATION IS DELAYED PENDING COMPLETION OF CONSTRUCTION.
3. THERE ARE LONG PERIODS (30 DAYS OR MORE) BETWEEN OPERATION CYCLES.
4. THE PLANT (OR DEPARTMENT) IS SHUT DOWN FOR PERIODS OF LONGER THAN 30 DAYS.

NOTE: STORAGE REQUIREMENTS VARY DEPENDING ON THE LENGTH OF STORAGE, THE CLIMATIC ENVIRONMENT AND THE EQUIPMENT. FOR STORAGE PERIODS OF THREE MONTHS OR LONGER, CONTACT THE MANUFACTURER FOR SPECIFIC INSTRUCTIONS. IMPROPER STORAGE COULD DAMAGE THE EQUIPMENT WHICH WOULD RESULT IN NON-WARRANTY COVERED RESTORATION REQUIREMENTS OR NON-WARRANTY COVERED PRODUCT FAILURES.

INTRODUCTION

This manual contains information which is the result of carefully conducted engineering and research efforts. It is designed to supply adequate instructions for the safe and efficient installation, operation maintenance of your pump. Failure or neglect to properly install, operate or maintain your pump may result in personal injury, property damage or unnecessary damage to the pump.

Variations exist in both the equipment used with these pumps and the particular installation of the pump and driver. Therefore, specific operating instructions are not within the scope of this manual. The manual contains general rules for installation, operation and maintenance of the pump.

Observe all caution or danger tags attached to the pump or included in this manual.

INSTALLATION

1. GENERAL

CAUTION: CAREFULLY READ ALL SECTIONS OF THIS MANUAL AND ALL OTHER INSTRUCTION MANUALS PROVIDED BY MANUFACTURERS OF OTHER EQUIPMENT SUPPLIED WITH THIS PUMP.

Upon receipt of the shipment, unpack and inspect the pump and driver assemblies and individual parts to ensure that none are missing or damaged. Carefully inspect all boxes and packing material for loose parts before discarding them. Report immediately to the transportation company involved, and to the factory, any missing parts or damage incurred during shipment, and file your "damaged and/or lost-in-shipment" claim with the carrier.

Horizontal pump and driver assemblies mounted on a common base are accurately aligned at the factory. However, alignment may be disturbed in transit or during installation. It must be checked after the unit is leveled on its foundation, after the grouting has set and the foundation bolts are tightened, and after the piping is completed.

When the pump and driver are mounted on separate base structures, the pump should be leveled and aligned first, then the driver leveled and aligned with the pump. With separate bases, a flexible shaft between the pump and driver must be used.

2. NET POSITIVE SUCTION HEAD (NPSH)

NPSH can be defined as the head (energy) that causes liquid to flow through the suction pipe and enter the eye of the impeller.

NPSH is expressed in two values: (1) NPSH required ($NPSH_R$) and (2) NPSH available ($NPSH_A$). It is essential that $NPSH_A$ be always greater than $NPSH_R$ to prevent cavitation, vibration, wear and unstable operation.

$NPSH_R$ is a function of the pump design and therefore varies with the model, size, capacity and speed of the pump. The value for your pump can be obtained from your pump performance curve or from the factory.

- A. When the source of the liquid is above the pump:

$$NPSH_A = \text{barometric pressure (feet) + static suction head (feet) - friction losses in suction piping (feet) - vapor pressure of liquid (feet)}$$

- B. When the source of the liquid is below the pump:

$$NPSH_A = \text{barometric pressure (feet) - static suction lift (feet) - friction losses in suction piping (feet) - vapor pressure of liquid (feet)}$$

3. MINIMUM SUBMERGENCE OF SCTION PIPE AND PIT DESIGN

For installations where the pump draws fluid from a sump, the hydraulic characteristics of the pump, the suction inlet submergence and NPSH must be considered. Generally, it is required that an evenly distributed flow of non-aerated water be supplied to the suction bell. Improper pit design or insufficient suction pipe submergence can result in intake vortexing which reduces the pump's performance and can result in severe damage to the pump.

We recommend that you secure the advice of a qualified Consulting Engineer for the analysis of the suction pit. Significant engineering data on design is provided in the Hydraulic Institute Standards.

4. LOCATION AND HANDLING

The pump should be located as near the fluid as possible so a short direct suction pipe can be used to keep suction losses at a minimum. If possible, locate the pump so the fluid will flow to the suction opening by gravity. The discharge piping should be direct and with as few elbows and fittings as possible. The total net positive suction head available (NPSH_A), which includes suction lift and pipe friction losses, must be equal to or greater than the net positive suction head required (NPSH_R) by the pump.

The pump and driver should be located in an area that will permit periodic inspection and maintenance. Head room and access should be provided and all units should be installed in a dry location with adequate drainage.

WARNING: DO NOT LIFT THE COMPLETE UNIT BY THE DRIVER OR PUMP SHAFTS OR EYE BOLTS.

To lift a horizontal mounted unit, a chain or suitable lifting device should be attached to each corner of the unit base. The driver by itself may be lifted using the proper eyebolts provided by the manufacturer, but these should not be used to lift the entire assembled unit.

5. FOUNDATION

The foundation should have a level surface and have sufficient mass to prevent vibration and form a permanent rigid support for the unit. The most satisfactory foundations are concrete with anchor bolts of adequate size embedded in the foundation in pipe sleeves with an inside diameter 2½ times larger than the bolt diameter. This will allow final accurate positioning of the unit.

6. LEVELING OF THE UNIT

Lower the unit onto the foundation, positioning it so the anchor bolts are aligned with the center of the mounting holes in the base. On all units, always disconnect the coupling halves and never reconnect them until all the alignment operations are complete.

The base should be supported on metal shims or metal wedges placed directly under the part of the base carrying the greatest weight, and spaced close enough to give uniform support and stability (see Figure 1).

Adjust the metal shims or wedges until the shafts of the pump and driver are level. Alignment adjustments can be accomplished by adjusting the supports under the base. When proper alignment is obtained, tighten the foundation bolts snugly, but not too firmly, and recheck the alignment before grouting.

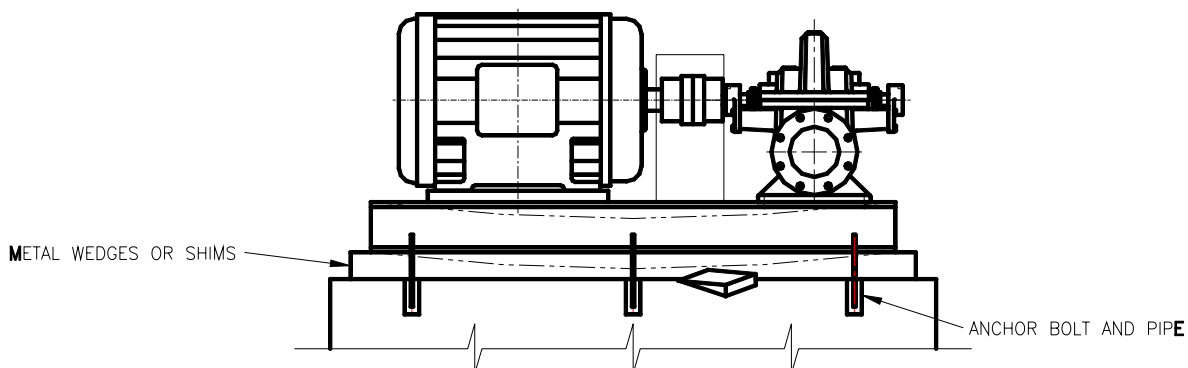


Figure 1
BASEPLATE INSTALLATION

7. GROUTING

When the alignment is correct, the unit should be grouted using high grade non-shrinking grout. The entire base should be filled with grout. Be sure to fill all gaps and voids. Allow the grout to fully cure before firmly tightening the foundation bolts. Then recheck the alignment before connecting the piping.

8. PIPING

CAUTION: ALL PIPING CONNECTIONS MUST BE MADE WITH THE PIPING IN A FREE SUPPORTED STATE, AND WITHOUT THE NEED TO APPLY VERTICAL OR SIDE PRESSURE TO OBTAIN ALIGNMENT OF THE PIPING WITH THE PUMP FLANGE.

CAUTION: AFTER ALL THE PIPING IS CONNECTED, THE PUMP AND DRIVER ALIGNMENT MUST BE RECHECKED.

All piping should be independently supported near the pump so that pipe strain will not be transmitted to the pump casing. The suction and discharge piping should be one or two sizes larger than the pump flange sizes, especially where the piping is of considerable length. Any flexible joints installed in the piping must be equipped with tension rods to absorb piping axial thrust. Care must be exercised in arranging elbows so as not to generate vortexing in the pump inlet.

The suction pipe must be air tight and sloped upward to the pump flange to avoid air pockets which will impair satisfactory pump operation. The discharge pipe should be as direct as possible with a minimum of valves to reduce pipe friction losses.

A check valve and closing valve should be installed in the pump discharge line and a closing valve in the suction line. The check valve, between the pump and the closing valve, protects the pump from water hammer and prevents reverse rotation in the event of power failure. The closing valves are used in priming, starting and when the pump is shut down. The pump must never be throttled by the use of a valve in the suction line.

9. AUXILIARY PIPING CONNECTIONS AND GAUGES

In addition to the primary piping connections, your pump may require mechanical seal and seal water filter connections, connections to the lantern ring (see the "Packing Box" and "Mechanical Seal" sections of this manual), stuffing box drain, discharge and suction flange gauges, casing relief valve drain or baseplate drain connections. All these lines and gauges should now be installed.

10. CONSTANT LEVEL OILERS

If your pump has oil-lubricated bearings, it will be equipped with constant level oilers which will be shipped loose to prevent damage in shipment. The oilers must be installed in the tapped holes in the side of the bearing housings. To provide proper lubrication, the pipe connection the oiler to the bearing housing must be level (see Figure 2).

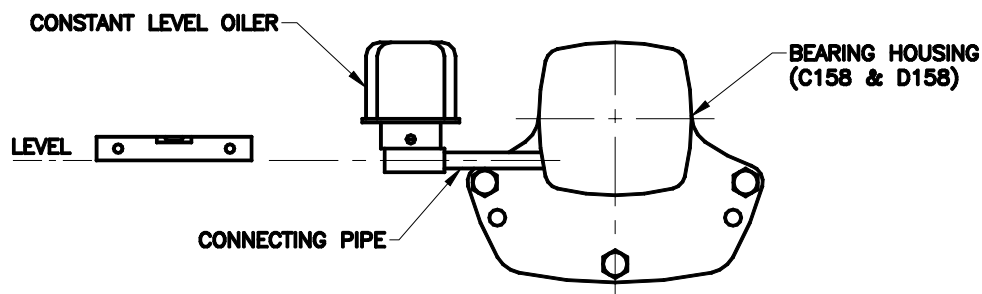


FIGURE 2

When the oiler is level, fill the bottle and screw it onto the lower reservoir of the oiler. Allow the oil to flow into the bearing reservoir. Several fillings of the bottle may be required before the oil level for which the oiler is set is reached and the oil stops flowing. After filling the oil reservoir, check the oil level to make sure it is as specified in the following table (see Page 6).

INSTALLATION (continued)**BEARING HOUSING OIL LEVEL CHART**

PUMP MODEL (PUMP SIZE)	2-441-8A	3-441-9A/C 4-441-8A	4-441-11A/C 4-441-14C 5-441-14A 6-441-12A	5-441-18A 6-441-14A/C 6-441-18C 8-441-14A	5-441-11A 6-441-19A 8-441-18A 10-441-20
Centerline of shaft to oil level	3/4"	7/8"	1-3/16"	1-1/2"	1-13/16"

NOTE: For Fire Pumps, the Model designation changes from "441" to "491."

Adjust the oil level, if necessary, by loosening the setscrews on the side of the dust cap, raising the bottle and tightening the screws. Refer to the oiler manufacturer's instructions for more specific details.

11. FINAL COUPLING ALIGNMENT

The alignment of the coupling must be carefully checked during installation and as the last step before starting the pump. If realignment is required, the piping should be disconnected first. After aligning, reconnect the piping in accordance with the previous instructions and again recheck the alignment.

A flexible coupling must not be used to compensate for misalignment resulting from poor installation or temperature changes.

Aurora Pumps are supplied with several different types of commercial couplings. The following instructions apply to units supplied with Woods couplings. If your unit has a different brand coupling, the manufacturer's instructions should be obtained before proceeding.

NOTE: FOR MAXIMUM LIFE, KEEP MISALIGNMENT VALUES AS NEAR TO ZERO AS POSSIBLE.

MAXIMUM ALLOWABLE MISALIGNMENT – WOODS COUPLINGS (Dimensions in inches)

Sleeve Size	"G" Dimension	Types E & N		Type H	
		Parallel	Angular	Parallel	Angular
4	1/2	.005	.021	-	-
5	3/4	.007	.028	-	-
6	7/8	.007	.035	.005	.008
7	1	.010	.040	.006	.010
8	1-1/8	.010	.047	.007	.012
9	1-7/16	.012	.054	.008	.014
10	1-5/8	.012	.064	.010	.016
11	1-7/8	.016	.075	.011	.018
12	2-5/16	.016	.087	.012	.021
13	2-11/16	.020	.092	.015	.025
14	3-1/4	.022	.121	.017	.030
16	4-1/4	.031	.165	-	-

The coupling Type is printed on the sleeve.

* Type H sleeves **SHOULD NOT** be used as direct replacements for EPDM or Hytrel sleeves.

- A. Use a blunt screwdriver to slip the wire ring out of the groove and remove the two-piece sleeve. Check the "G" dimension. If it is not as shown in the preceding table, loosen one flange of the coupling and reposition it to achieve the specified "G" dimension.

NOTE: On a sleeve bearing electric motor, the armature should be at its electrical center when the "G" dimension is measured.

- B. Check parallel misalignment by placing a straightedge across the two coupling flanges and measuring the maximum offset at various points around the periphery of the coupling. **DO NOT ROTATE THE COUPLING.** If the maximum offset exceeds the figure shown under "Parallel" in the preceding table, realign the coupling.

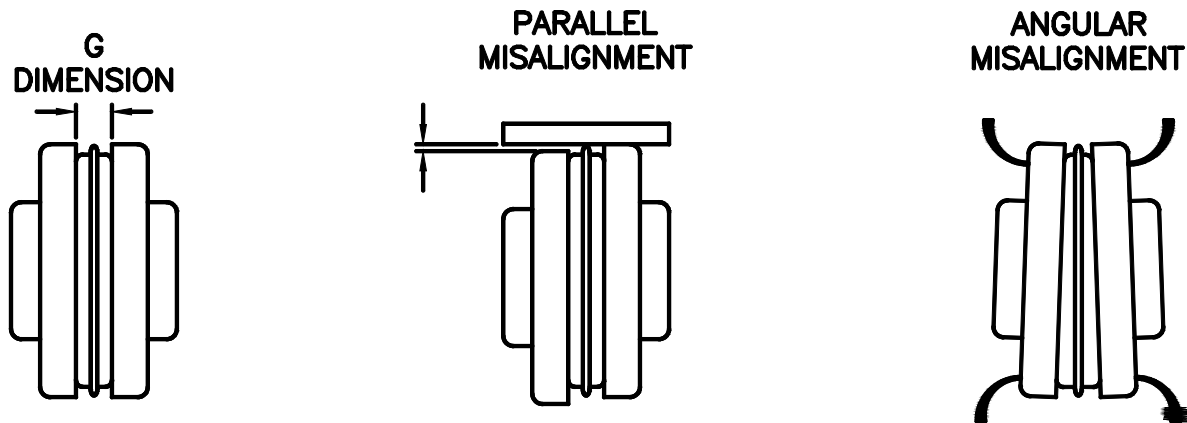


FIGURE 3
COUPLING ALIGNMENT

11. FINAL COUPLING ALIGNMENT (continued)

- C. Check the angular alignment with a micrometer or caliper. Measure from the outside of one flange to the outside of the other at intervals around the periphery of the coupling. Determine the maximum and minimum dimensions. **DO NOT ROTATE THE COUPLING.** The difference between the maximum and minimum dimensions should not exceed the figure shown under "Angular" in the preceding table. If a correction is required, you must always recheck the parallel alignment.
- D. If the coupling employs a two-piece sleeve with a wire ring, force the ring into its groove in the center of the sleeve. It may be necessary to pry the ring into position with a blunt screwdriver.

WARNING: CHECK SAFETY CODES, AND ALWAYS INSTALL PROTECTIVE GUARD OR SHIELD AS REQUIRED BY VARIOUS FEDERAL, STATE AND LOCAL LAWS AND REGULATIONS CONCERNING OSHA.

WARNING: COUPLING SLEEVES MAY BE THROWN FROM THE ASSEMBLY WHEN SUBJECTED TO A SEVERE SHOCK LOAD.

12. FLEXIBLE SHAFTING ALIGNMENT

For installation and alignment of intermediate flexible shafting, refer to the manufacturer's instructions.

13. ROTATION

Before connecting the coupling halves, bump start the driver to verify rotation is in the proper direction. The correct pump rotation is indicated by a directional arrow on the pump casing.

Because variations exist in both the equipment used with these pumps and in the particular installation of the pump and driver, specific operating instructions are not within the scope of this manual. However, there are general rules and practices that apply to all pump installations and operation.

CAUTION: BEFORE STARTING OR OPERATING THE PUMP, READ THIS ENTIRE MANUAL, ESPECIALLY THE FOLLOWING INSTRUCTIONS:

- A. BEFORE STARTING THE PUMP, INSTALL CLOSED GUARDS AROUND THE COUPLING.**
- B. BEFORE STARTING THE PUMP, ROTATE THE UNIT OR ASSEMBLY BY HAND TO ASSURE ALL MOVING PARTS ARE FREE.**
- C. OBSERVE ALL CAUTION AND DANGER TAGS ATTACHED TO THE EQUIPMENT.**
- D. NEVER RUN THE PUMP DRY AS THE CLOSE RUNNING FITS WITHIN THE PUMP ARE WATER LUBRICATED. RUNNING DRY MAY RESULT IN PUMP SEIZURE.**
- E. BEFORE STARTING THE PUMP, FILL THE CASING AND SUCTION LINE WITH LIQUID. THE PUMP MAY BE PRIMED USING AN EJECTOR OR VACUUM PUMP.**
- F. BEFORE STARTING A PACKED BOX PUMP, ADJUST THE PACKING GLAND SO THERE IS SUFFICIENT LEAKAGE TO LUBRICATE THE PACKING AND ASSURE A COOL PACKING BOX. (SEE MAINTENANCE INSTRUCTIONS).**
- G. IF EXCESSIVE VIBRATION OR NOISE OCCURS DURING OPERATION, SHUT THE PUMP DOWN AND CONSULT AN AURORA PUMP REPRESENTATIVE.**

1. OPERATING AT REDUCED CAPACITY

Although these pumps are applicable over a wide range of operating conditions, care should be exercised when doing so, especially when the actual conditions differ from the sold-for conditions. You should always contact your nearest Aurora Pump sales office before operating the pumps for any condition other than that for which it was sold.

2. PRIMING

Since the pump medium is used to lubricate various internal parts, running a centrifugal pump dry can result in extensive damage and possible seizing. It is therefore imperative that the pump be primed prior to initial start-up and that prime be maintained through subsequent start-stop cycles.

The priming method is different for positive and negative suction head systems, and the following procedures should be followed.

A. Positive Suction Head –

- 1. Open the vent on the highest point on the pump casing.
- 2. Open all suction valves.
- 3. Allow the pumped liquid to flow from the vent hole until all air bubbles are vented, then close the vent.
- 4. The pump is now primed.

B. Negative Suction Head –

- 1. Install an ejector or vacuum pump on the vent at the highest point on the pump casing.
- 2. Close the discharge valve.
- 3. Open the suction valve.
- 4. Start ejector or vacuum pump.
- 5. Allow the liquid to flow until a continuous flow is exhausted from the ejector, then close the valve to the vent.
- 6. The pump is now primed.

3. STARTING THE PUMP

- A. After the pump is primed, and with the discharge valve closed and the suction valve open, start the driver according to the driver manufacturer's instructions.
- B. Open the discharge valve slowly to prevent water hammer.
- C. After the pump has been started, check bearing temperatures, packing box lubrication and operation and pump noise level for a period of several hours.

CAUTION: BEGIN THESE CHECKS IMMEDIATELY UPON STARTING THE PUMP AND MONITOR THEM CONTINUOUSLY FOR THE FIRST SEVERAL HOURS OF OPERATION.

4. BEARING OPERATING TEMPERATURE

These pumps are designed to operate over a wide ambient temperature range. The bearing temperature, when measured at the outside surface of the bearing housing, should not exceed 190°F. Temperatures in excess of 190°F may indicate lack of lubricant, bearing overload or insipient bearing failure. If the temperature exceeds this limit, the pump should be stopped and the cause investigated and corrected.

5. TROUBLESHOOTING OPERATING PROBLEMS

If you have followed the installation and start-up procedures outlined in this manual, your pump should provide reliable service and long life. However, if operating problems do occur, significant time and expense can be saved if you use the following checklist to eliminate the most common causes of those problems.

**INSUFFICIENT DISCHARGE
PRESSURE OR FLOW**

1. Pump not primed.
2. Speed too slow; check driver.
3. Discharge head too high.
4. Suction lift too high.
5. Wrong direction of rotation
6. Air leaks into suction piping, packing box or gaskets.
7. Impeller passage partially plugged.
8. Impeller damaged.
9. Impeller running clearance too large.
10. Insufficient suction line submergence.
11. Air in liquid.
12. Impeller diameter too small.
13. Insufficient Net Positive Suction Head.

LOSS OF SUCTION DURING OPERATION

1. Suction line leaks.
2. Water seal line plugged.
3. Suction lift too high.
4. Air or gases in liquid.
5. Air leaks into suction piping, packing box or gaskets.
6. Wrong direction of rotation.
7. Insufficient suction line submergence.

EXCESSIVE POWER CONSUMPTION

1. Speed too high.
2. Head lower than rating, pumping too much liquid.
3. Specific gravity or viscosity of liquid too high.
4. Mechanical defects:
 - Shaft bent
 - Rotating element binds
5. Misalignment.
6. System head lower than design.
7. Incorrect impeller diameter.

VIBRATION OR NOISE

1. Misalignment between driver and pump.
2. Loose foundation bolts or defective grouting.
3. Mechanical defects:
 - Shaft bent
 - Rotating element binds
4. Head lower than rating; pumping too much liquid.
5. Pipe strain – improperly supported or aligned.
6. Pump running at shut-off condition.
7. Insufficient suction line submergence.
8. Air in liquid.

OVERHEATING

1. Bearings:
 - Excessive grease.
 - Shaft bent.
 - Rotating element binds.
 - Pipe strain.
 - Insufficient bearing lubrication.
 - Incorrect type grease
2. Packing box:
 - Packing gland too tight.
 - Water seal line plugged
 - Air not vented out of mechanical seal.
 - Flushing water not circulating for mechanical seal.

2. INSPECTIONS AND PREVENTIVE MAINTENANCE REQUIREMENTS

To assure satisfactory operation of the pump, daily inspections and periodic maintenance are required. We suggest that an inspection and maintenance log be kept and that the inspector immediately report any problems. A guide for preventive maintenance for normal applications is given below. Unusual applications, with abnormal heat, moisture, dust, etc. may require more frequent inspections and service.

ITEM	ACTION REQUIRED	FREQUENCY (HOURS OF OPERATION)
Packing Box	Adjust gland, inspect packing for possible replacement	150 Hours
Pump Alignment	Check for change in alignment	ANNUALLY
Vibration	Check for change in vibration	ANNUALLY
Bearings: Grease lubricated	Lubricate	Every 2000 hours of operation, but at least once a year.
Oil lubricated		As required to maintain proper oil level – drain and replace oil every 2000 hours of operation, but at least once a year.

3. BEARING LUBRICATION

A. Grease Lubricated Bearings

Under normal operating conditions, the bearings must be lubricated after every 2000 hours of running time, but at least once a year regardless of total operating hours.

CAUTION: ANY APPLICATION WITH ABNORMAL HEAT, MOISTURE, DUST, ETC. MAY REQUIRE A CHANGE IN THIS SCHEDULE AND YOU SHOULD REFER TO A LUBRICATION ENGINEER OR THE FACTORY FOR SPECIFIC INSTRUCTIONS.

CAUTION: THE GREASES RECOMMENDED IN THIS MANUAL WILL PROVIDE SATISFACTORY LUBRICATION OVER A WIDE TEMPERATURE RANGE. THERE IS, HOWEVER, A PRACTICAL LIMIT, AND OPERATION OF THE PUMP SHOULD BE DISCONTINUED AND THE FACTORY CONSULTED IF THE TEMPERATURE, WHEN MEASURED ON THE OUTSIDE OF THE BEARING HOUSING, EXCEEDS 190°F.

RECOMMENDED GREASE: Chevron SRI grease N.L.G.I. No. 2 multi-purpose with a mineral oil viscosity of 517 SUS at 100°F or equivalent.

Proceed as follows for bearing lubrication:

WARNING: KEEP HANDS, FINGERS, CLOTHING AND ANY TOOLS AWAY FROM THE COUPLING. FAILURE TO DO SO COULD RESULT IN SERIOUS PERSONAL INJURY.

1. Stop the pump and remove the pipe plug at the bottom of the bearing housing.
2. Connect a grease gun to the lubrication fitting.
3. Inject grease until it relieves at the bearing housing cover and drain hole.
4. Remove the grease gun.
5. Start the pump. NOTE: Immediately after lubrication, bearing temperatures may rise above the normal level. Continue running the unit until bearing temperatures stabilize at the normal level.
6. Stop the unit, wipe off the relieved grease and replace the drain plug.
7. Start the unit and resume normal operation.

B. Oil Lubricated Bearings

Fill the constant level oiler and add additional oil as required. Replace the old oil with new every 2000 hours, but at least once a year. Drain the oil by removing the plug at the bottom of the bearing housings (C158 and D158).

3. BEARING LUBRICATION (continued)

Check the oiler setting periodically to be sure it is correct. Refer to the following table for the correct setting.

RECOMMENDED OILS: The oil used should be non-detergent type containing rust and oxidation inhibitors, supplied by a reputable manufacturer.

Depending on bearing/pump operating temperature, the grade and viscosity should be as follows:

Below 120°F – ISO Vg Grade 40-70 (SAE 20)

120F to 250°F – ISO Vg Grade 70-100 (SAE 20)

Above 250°F – Consult the factory for a recommendation.

4. PACKING BOX

CAUTION: DO NOT TIGHTEN THE GLAND TO STOP ALL LEAKAGE. LEAKAGE IS NECESSARY TO ENSURE THE COOLING, FLUSHING AND LUBRICATION OF THE PACKING AND TO PREVENT SHAFT SLEEVE DAMAGE.

The packing boxes on Aurora Pumps are packed at the factory. All packing is subject to wear and should be given regular inspections and, if necessary, periodic adjustments. Generally, packed box pumps require inspection of the packing and adjustments to the glands after each 150 hours of operation.

Adjustment is made by lightly tightening the gland nuts, then loosening them so that they can be adjusted with finger pressure to allow a small flow of liquid to lubricate the packing. If the flow of liquid has increased and cannot be reduced by a slight tightening of the gland, add one ring of packing to the packing box and readjust the gland. If this fails to reduce the flow, replace the packing and/or shaft sleeve.

The packing boxes may be fitted with lantern rings. When a lantern ring is furnished, the sealing chamber should be connected to a source of clear fresh water.

5. PACKING REPLACEMENT

Use a good grade of soft, square long fiber packing, thoroughly graphited. The replacement procedure should be as follows:

- A. Stop the pump.
- B. Unbolt and remove the glands away from the packing.
- C. Use a packing hook to remove the worn rings of packing and lantern rings. Note the location of the lantern rings relative to the amount of packing on each side of the lantern rings. (See sectional drawings on pages 23 & 24.)
- D. Clean the packing boxes and shaft sleeves.
- E. Inspect the shaft sleeves for wear or rough finish and replace if necessary.
- F. Install new packing and lantern rings.

CAUTION: STAGGER THE PACKING END JOINTS 180 AND FIRMLY SEAT THE PACKING. THE FOLLOWING TABLE GIVES THE PERTINENT PACKING BOX, LANTERN RING AND PACKING DIMENSIONS (see page 14).

- G. Reinstall the glands and tighten the gland nuts.
- H. Loosen the gland nuts so they can be adjusted with finger pressure to obtain correct leakage for lubrication after start-up.

5. PACKING REPLACEMENT (continued)

	PUMP MODEL (PUMP SIZE)				
	2-441-8A	3-441-9A/C 4-441-8	4-441-11A 4-441-14C 5-441-14A 6-441-12A	5-441-18A 6-441-14A/C 6-441-18A 8-441-14A	6-441-19A 10-441-20
PACKING BOX					
Sleeve O.D.	1-5/8	2	2-1/2	3	3-1/2
Packing Box I.D.	2-7/16	2-15/16	3-9/16	4-3/16	4-13/16
Packing Box Depth	2-15/16	2-7/8	3-7/8	4-5/16	4-3/4
PACKING SIZE	3/8	3/8	1/2	9/16	5/8
Qty. of Rings per Box (Without Lantern Ring)	7	7	7	7	7
Lantern Ring Width	3/4	3/4	1	1-1/8	1-1/4
PACKING ARRANGEMENT WITH LANTERN RING (Packing Rings-Lantern Ring-Packing Ring)*	2-L-3	2-L-3	2-L-3	2-L-3	2-L-3

* See Sectional Drawings on pages 23 & 24.

NOTE: For Fire Pumps, the Model designation changes from "441" to "491."

6. PUMP DISASSEMBLY

CAUTION: READ THIS ENTIRE DISASSEMBLY PROCEDURE AND REFER TO THE SECTIONAL DRAWINGS IN THIS MANUAL BEFORE PROCEEDING.

Major maintenance will require disassembly of the pump. Following are step-by-step instructions.

- A. Lock out the power to the driver and close the suction and discharge valves. Drain the pump, disconnect and remove the coupling or flexible shafting. Disconnect and remove all auxiliary piping to the upper casing (3) and bearing housings (C158 and D158) (packing box flush line, lubricators on oil lubricated pumps, cooling water lines on pumps with water-cooled bearings, etc.).
- B. Remove the capscrews (2A) securing the upper casing half (3) to the lower half (2). Remove the gland nuts (31B) and slide the glands (A31 or B31) off the gland studs (31A). Install jack screws in the tapped holes in the upper casing half and use them to separate the flanges. Carefully lift the upper casing half using the long shank eyebolts in the tapped holes in the upper casing half.

CAUTION: USE OF A CRANE OR HOIST OF ADEQUATE CAPACITY IS RECOMMENDED. THE LIFTING HOOK SHOULD BE NO LESS THAN 3-4 FEET ABOVE THE EYE OF THE EYEBOLTS TO AVOID BENDING OF THE BOLTS. THE USE OF THE SHORT EYEBOLTS IS NOT RECOMMENDED SINCE THE UPPER CASING HALF WILL TEND TO TIP WHILE BEING LIFTED, RESULTING IN POSSIBLE DAMAGE OR PERSONAL INJURY.

- C. Remove the capscrews (158B) and pins (158A) that secure the bearing housings (158) to the lower casing. The pins may be removed using the threaded holes in the pins.
- D. Lift the rotor assembly from the casing using a double rope sling.

WARNING: BE CAREFUL WHEN POSITIONING THE ROPES TO AVOID THE ROTOR SLIPPING AND CAUSING POSSIBLE SERIOUS PERSONAL INJURY.

6. PUMP DISASSEMBLY (continued)

- E. Remove the capscrews (159D) that secure the bearing housing covers (159) to the bearing housings and remove the housings from the rotating assembly.
- F. Remove the outer snap ring (345) from the outboard bearing end of the rotating assembly, and use a wheel/bearing puller to remove the outboard (168) and inboard (163) bearings.

WARNING: TO PREVENT POSSIBLE SERIOUS PERSONAL INJURY, EXTREME CARE SHOULD BE EXERCISED TO SELECT THE PROPER PULLER, AND APPROVED SAFETY GLASSES SHOULD BE WORN.

CAUTION: BECAUSE OF POSSIBLE DAMAGE OR CONTAMINATION DURING REMOVAL, BEARINGS SHOULD NOT BE REUSED AND NEW BEARINGS SHOULD ALWAYS BE INSTALLED.

- G. Remove bearing housing covers (159), water slingers (126), casing wearing rings (16), lantern rings (10) and packing (212). If the pump is equipped with mechanical seals (456), refer to the seal manufacturer's instructions.
If the pump is equipped with an oil lubrication system, remove the lip seals (158C) from the inboard and outboard bearing housing covers and the inboard bearing housing.
- H. Remove the shaft sleeves (A14 or B14). Depending on the pump service, shaft sleeves are supplied in two different configurations. The removal procedure for each configuration differs:

Sleeves Affixed With Loctite: Remove the shaft sleeve nuts (213) (if they are provided), heat the sleeves to approximately 450°F to break the bond, then tap them with a brass or copper mallet.

WARNING: TO PREVENT POSSIBLE SERIOUS PERSONAL INJURY, HEAT RESISTANT GLOVES MUST BE WORN WHEN HANDLING HEATED PARTS.

Sleeves Keyed To Shaft: Remove the shaft sleeve nuts (213), shaft sleeves (B14) and the shaft sleeve O-rings (452).

CAUTION: BECAUSE OF POSSIBLE DAMAGE DURING DISASSEMBLY, O-RINGS SHOULD NOT BE REUSED AND NEW O-RINGS SHOULD ALWAYS BE INSTALLED.

- I. Slide the impeller (1) off the shaft (4) and remove the impeller key (102).
- J. If your pump has impeller wear rings and they require replacement, they will be secured by one of two methods, and you should proceed as follows:

Wearing Rings Secured With Loctite: Heat the sleeves to approximately 450°F to break the bond, then tap them with a brass or copper mallet. If heating fails to affect removal, the rings may be ground off.

Wearing Rings Secured With Setscrews: Remove the setscrews (17A) and chisel cut or grind the rings in two at the setscrew location.

WARNING: TO PREVENT POSSIBLE SERIOUS PERSONAL INJURY, HEAT RESISTANT GLOVES MUST BE WORN WHEN HANDLING HEATED PARTS.

WARNING: TO PREVENT POSSIBLE SERIOUS PERSONAL INJURY, EXTREME CARE SHOULD BE EXERCISED TO SELECT THE PROPER GRINDING EQUIPMENT, AND APPROVED SAFETY GLASSES SHOULD BE WORN WHEN GRINDING.

- K. The pump disassembly is now complete. All parts should be thoroughly cleaned and inspected for wear or damage, and replaced if required.

7. PUMP ASSEMBLY

CAUTION: READ THIS ENTIRE PROCEDURE BEFORE CONTINUING.

Following are step-by-step instructions for assembly of the pump and are essentially the reverse order of the instructions for disassembly.

- A. Thoroughly clean all parts to remove oil, grease and foreign material. Inspect for wear or damage and replace if required. Remove all parts to a clean and dust-free location for assembly. Gaskets, grease seals and bearings should not be reused and should always be replaced with new parts.
- B. If the impeller wear rings (17) require replacement, they are a light press fit and will be secured by one of the following methods. You should proceed as follows:

Rings Secured With Loctite: Apply a light film of Loctite No. 290 to the impeller part of the impeller/wear ring fit and install the rings.

Rings Secured With Set Screws: Press the rings in place and drill and tap them using the same size and number of setscrews as originally provided. The new holes should be 15° to 20° from the old holes. Install and tighten the set screws.

CAUTION: BE CAREFUL NOT TO DRILL THROUGH THE IMPELLER AND BE SURE TO PRESS THE WEAR RING COMPLETELY IN PLACE. THEY SHOULD BE FIRMLY BUTTED AGAINST THE CORRESPONDING IMPELLER SHOULDER.

- C. Install the impeller key (102) in the shaft (4) and slide the impeller (1) over the key, centering it between the shaft shoulders as shown in Figure 5.

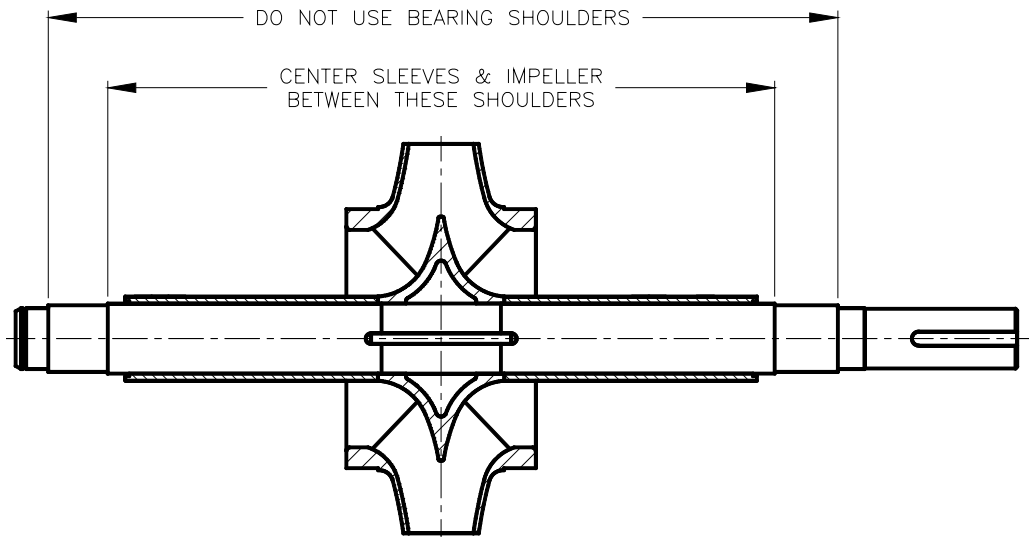


FIGURE 5

CAUTION: IF THE SHAFT SLEEVES ON YOUR PUMP ARE SECURED WITH LOCTITE ONLY, REFER TO THE SHAFT SLEEVE INSTALLATION INSTRUCTIONS BEFORE INSTALLING THE IMPELLER.

- D. Install the shaft sleeves (A14 or B14), shaft sleeve nuts (213) and O-rings (452), if your pump uses them, on the shaft. The shaft sleeves will be secured by one of three methods and you should proceed as follows:

Sleeves Secured With Loctite And Sleeve Nuts: Apply two beads of Loctite No. 601 around the shaft on the shaft/shaft sleeve fit, one approximately 2 inches from the impeller hub and the second at the threaded end. Slide the shaft sleeves part way onto the shaft and rotate them at least one full revolution to evenly spread the Loctite, then slide the sleeves over the shaft until they butt firmly against the impeller hub. Install and tighten the shaft sleeve nuts (213) and the set screws (213A).

7. PUMP ASSEMBLY (continued)

Sleeves Secured With Loctite Only: Clean the shaft, the bore of the sleeves and the bore of the impeller with Loctite "Safety Solvent #75559.

Install the impeller key in the shaft and coat the impeller area on the shaft with Loctite 601. Press the impeller onto the shaft, centering it between the shoulders as shown in Figure 5.

Coat the shaft on the shaft/sleeve fit and the bore of the sleeves with Loctite 601. Slide the sleeves part way onto the shaft and rotate them at least one full revolution to evenly spread the Loctite, then slide the sleeves over the shaft until they butt firmly against the impeller hub. Check the sleeve location again and let the Loctite cure for 8 hours before completing the pump assembly.

Sleeves Installed With O-rings: Slide the shaft sleeves over the shaft until they engage the key and butt firmly against the impeller hub. Install the O-rings in the outboard shaft sleeve nut end of the sleeve and tighten the shaft sleeve nuts and setscrews.

CAUTION: THE LINEAR POSITION OF THE IMPELLER MUST BE OBTAINED AND THE SHAFT SLEEVES MUST BE PROPERLY LOCATED. REFER TO FIGURE 5 ON THE PREVIOUS PAGE OF THIS MANUAL. IF PROVIDED, THE SHAFT SLEEVE MUST BE TIGHTENED WITHIN 10 MINUTES AFTER THE LOCTITE IS APPLIED. TO ACCOMPLISH LINEAR POSITIONING OF THE IMPELLER, LEAVE AN EQUAL AMOUNT OF SHAFT OR SHAFT THREADS EXPOSED ON EACH END OF THE SHAFT AFTER ASSEMBLY IS COMPLETED. ALLOW 4 HOURS FOR THE LOCTITE TO CURE BEFORE COMPLETING THE PUMP ASSEMBLY.

CAUTION: THIS PUMP MAY BE SUPPLIED IN SEVERAL DIFFERENT CONFIGURATIONS. EACH USES DIFFERENT BEARING COVERS AND HOUSINGS WITH DIFFERENT DRAWING REFERENCE NUMBERS. DESPITE THE FOLLOWING INSTRUCTIONS, ALWAYS REFER TO THE SECTIONAL DRAWINGS CONTAINED IN THIS MANUAL BEFORE PROCEEDING, TO INSURE THAT YOU HAVE INSTALLED ALL REQUIRED LIP SEALS, O-RINGS, ETC.

- E. If your pump is oil lubricated, install the lip seals (159C) in the outboard and inboard bearing covers (B159) and the lip seal and the lip seal (158C) in the inboard bearing housing (C158). Assemble the O-rings (159A) on the bearing housing covers prior to installing the bearings.
- F. If your pump is equipped with mechanical seals or solid packing glands, install the seals (456) and mechanical seal glands (B31) or solid packing glands before proceeding. Refer to the seal manufacturer's instructions for installation.
- G. Install the water slingers (126) on each end of the shaft.
- H. Install the outboard and inboard bearing covers (A159 or B159) on the shaft.
- I. Install the outboard (168) and inboard bearings (163).

WARNING: TO PREVENT POSSIBLE SERIOUS PERSONAL INJURY AND DAMAGE TO THE BEARINGS, PRESSURE SHOULD BE APPLIED TO THE INNER BEARING RACE ONLY.

Note: The pump is designed to have a .000 to .001 interference fit between the bearings and the shaft.

- J. Install the snap ring (345) on the outboard end of the shaft. Pack both bearings approximately one-half full of lithium base NGLI2 all-purpose bearing grease.
- K. Install bearing housings (A158 and B158 if grease lubricated, or C158 and D158 or E158 and F158) over the bearings and securely bolt the bearing covers to the bearing housings using the appropriate capscrews (159D)
- L. Using a double rope sling, carefully lower the rotor assembly into the lower casing (2).

WARNING: BE CAREFUL WHEN POSITIONING THE ROPES TO AVOID THE ROTOR SLIPPING AND CAUSING POSSIBLE SERIOUS PERSONAL INJURY.

CAUTION: WHEN LOWERING THE ROTOR, BE CAREFUL TO PROPERLY POSITION THE WEARING RINGS. FAILURE TO DO SO COULD SERIOUSLY DAMAGE THE RINGS.

7. PUMP ASSEMBLY (continued)

- M. Attach the bearing housings to the lower casing using the appropriate dowel pins (158A) and capscrews (158B).

CAUTION: BE SURE BEARING HOUSING/CASING MATING SURFACES ARE CLEAN AND FREE FROM BURRS, AS THIS WILL AFFECT THE ALIGNMENT OF THE ROTOR/CASING.

- N. Inspect the upper casing (3) to assure that the water passage is clean and free from foreign material. Apply a light coat of grease to the upper and lower casing mating surfaces and install a new casing gasket (157) on the lower casing, making sure the holes are aligned. Position the pins in the casing wearing rings to align with the slots in the lower casing. Lower the upper casing into position. Install the casing alignment pins (2B) and securely bolt the upper and lower casing together using the capscrews (2A).

- O. Install the packing (212), lantern rings (10), split glands (19) and gland nuts (31B).

The pump assembly is now complete except for packing adjustment, which should be accomplished after the pump is installed, primed and started up. Refer to the maintenance section of this manual for specific packing adjustment instructions.

ORDERING PARTS

There are a variety of options available for this pump. When ordering parts, give the pump serial number, size and figure number and a complete description and item number of each part. Refer to the drawings and parts list in the back of this manual. You should order parts from your local Aurora Pump distributor. Consult your local telephone yellow pages for the office nearest you.

RETURNING PARTS

Unnecessary delays and wasted effort will be avoided if you use the proper procedure to return parts or equipment. All materials or parts returned to the factory must have prior approval and a "Returned Goods Tag."

Contact your nearest Aurora Pump distributor, listing the material to be returned and the reason for the return. He will contact the factory to obtain the required approval and "Returned Goods Tag." All materials to be returned should be carefully packaged to avoid damage in route from rough handling or exposure to weather. The "Returned Goods Tag" will give shipping instructions. All material is to be returned freight prepaid.

Aurora Pump makes improvements on its products from time to time and reserves the right to furnish improved parts for repairs. A part that is received and is not identical in appearance, or has a different symbol from the original part, may still be interchangeable. Examine the part carefully before contacting your Aurora Pump distributor. The parts should never be returned to the factory without first obtaining proper authorization from your Aurora Pump distributor.

RECOMMENDED SPARE PARTS

For Normal Duty:

REF. NO.	DESCRIPTION
A14	SLEEVE, SHAFT
B14	SLEEVE, SHAFT
16	WEARING RING, CASING
17	WEARING RING, IMPELLER (IF ON ORIGINAL CONSTRUCTION)
163	BEARING, INBOARD
168	BEARING, OUTBOARD
212	PACKING (OR MECHANICAL SEAL - 456)
	GASKETS, COMPLETE SET

For Severe Duty, Add The Following:

REF. NO.	DESCRIPTION
	COMPLETE ROTATING ASSEMBLY

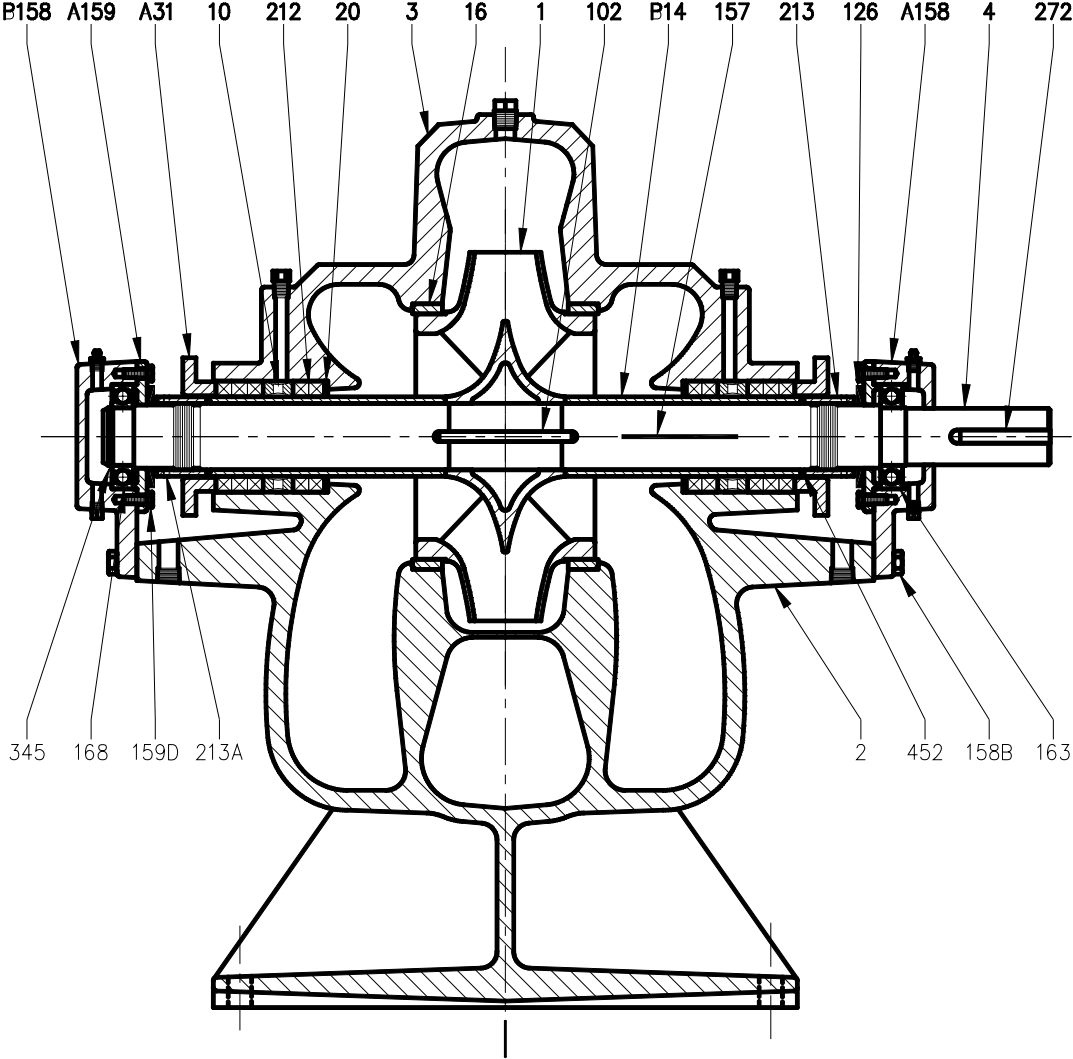


Figure 6
STANDARD CONSTRUCTION

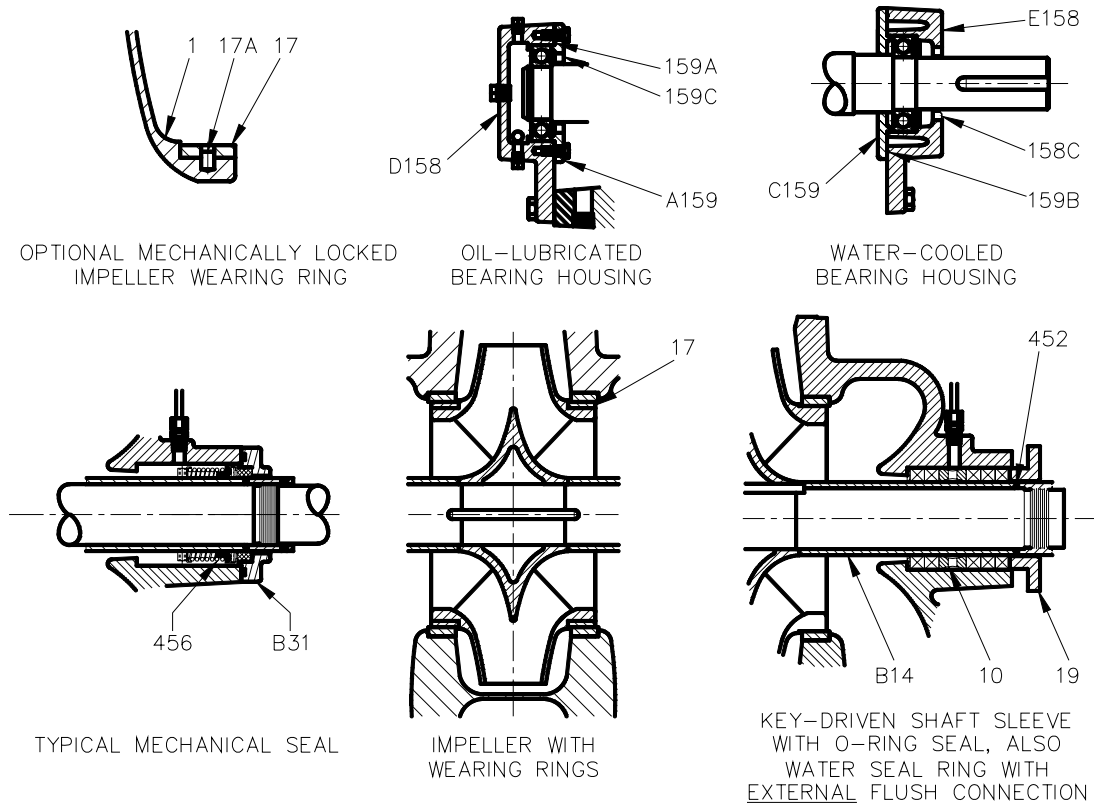


Figure 7

REF. NO.	DESCRIPTION	REF. NO.	DESCRIPTION
1	IMPELLER	C158 *	BEARING HOUSING, INBOARD, OIL LUBE
2	CASING, LOWER HALF	D158	BEARING HOUSING, OUTBOARD, OIL LUBE
2A *	CAPSCREWS, CASING	E158 *	BEARING HOUSING, INBOARD, WATER-COOLED BEARING
2B *	PIN, CASING ALIGNMENT	F158	BEARING HOUSING, OUTBOARD, WATER-COOLED BEARING
2C *	PIPE PLUG, CASING	158A *	PIN, BEARING HOUSING ALIGNMENT
3	CASING, UPPER HALF	158B *	CAPSCREW, HOUSING
4	SHAFT	158C	LIPSEAL
10	LANTERN RING	158D *	PIPE PLUG, HOUSING
A14	SHAFT SLEEVE	A159	BEARING HOUSING COVER, GREASE LUBE
B14	SHAFT SLEEVE, KEYED	B159	BEARING HOUSING COVER, OIL LUBE
16	WEARING RING, CASING	C159	BEARING HOUSING COVER, WATER-COOLED BEARING
17	WEARING RING, IMPELLER	159A	O-RING, OIL LUBE COVER
17A	SETSCREW	159B	O-RING, WATER-COOLED COVER
19	PACKING GLAND, SPLIT	159C	LIPSEAL
20	WASHER, PACKING BOX	159D *	CAPSCREW, HOUSING COVER
A31	PACKING GLAND, SOLID	163	BEARING, INBOARD
B31	GLAND, MECHANICAL SEAL	168	BEARING, OUTBOARD
31A *	GLAND STUD	212	PACKING
31B *	GLAND NUT	213	NUT, SHAFT SLEEVE
102	KEY, IMPELLER	213A	SETSCREW
126	WATER SLINGER	272	KEY, COUPLING
157	GASKET, CASING	345	SNAP RING
A158	BEARING HOUSING, INBOARD, GREASE LUBE	452	O-RING, SHAFT SLEEVE
B158	BEARING HOUSING, OUTBOARD, GREASE LUBE	456	SEAL, MECHANICAL

* Not Shown