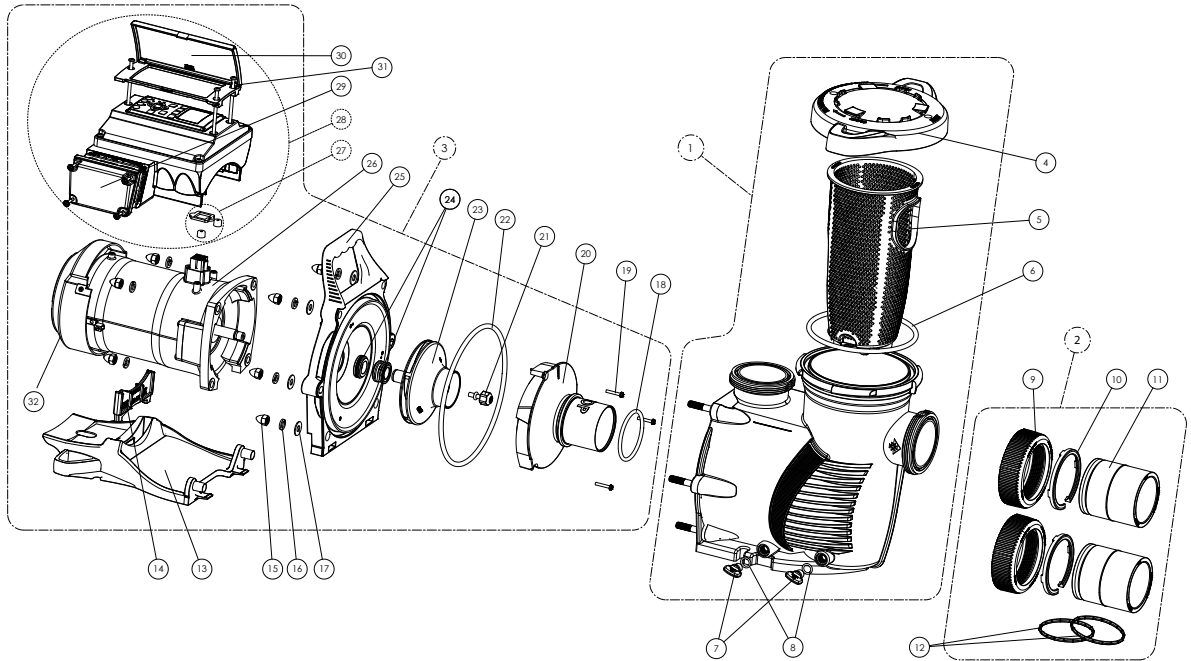


# INTELLIFLOXF® VARIABLE SPEED PUMP - BEFORE AUGUST 2015

## REPLACEMENT PARTS



Item	Part No.	Description
<b>INTELLIFLO XF PUMP</b>		
1	400000	Wet End Assembly
2	410020	Union Kit
3	400605Z	Power End Assy w/ Drive & Motor
4	400006	Lid/Locking Ring Assy
5	400007Z	XF Series Replacement Basket
6	35505-1440	Lid/Locking Ring O-Ring
7	071131	Drain Plug (2 req.)
8	192115	Drain Plug O-ring (2 req.)
9	411000	2.5 in. Union Nut
10	410001	2.5 in. C-Clip Locking Ring
11	410002	2.5 in. Union Adapter
12	410016Z	2.5 in. Seal Kit - (Includes 2)
13	400004Z	Motor Base
14	357160	Motor Support Insert- Black
15	071413	Acorn Nut (each)
16	U43-12SS	Split Lock Washer (each)
17	072184	Flat Washer (each)
18	350336	Diffuser O-ring
19	353323	Diffuser Screw
20	400010	Diffuser

Item	Part No.	Description
21	37337-6080	Impeller Reverse Screw
22	351446	Seal Plate O-Ring
23	400015	Impeller Assembly
24	17351-0101S	Mechanical Seal Assembly
25	400002	Seal Plate
26	350105S	Motor Kit
27	350612	Drive Hardware and Gasket Kit (includes item #31)
28	353251	Variable Speed Drive Assy Kit
29	350621	Field Wiring Comp Kit w/ Gasket
30	350601	Control Cover Assy Kit (incl. item #27) <sup>1</sup>
30	400100	Control Cover Assy Kit (incl. item #27) <sup>2</sup>
31	350107	Screw 10-24 x 3-1/4 in. PH MS 18-85S (Qty. 3)
32	352401	Motor Fan Kit (contains Fan, Shroud, Hardware)
<b>NOT SHOWN</b>		
	400031Z	Seal Plate Kit w/ Mech Seal
	400012	Riser Plate XF to Challenger
	350122	50 Ft. Communication Cable

<sup>1</sup> Used on pumps manufactured before 12/23/13

<sup>2</sup> Used on pumps manufactured after 12/23/13 to present