

INSURICE® PF TRIPLE 7FC-S SYSTEM

DELIVERS QUALITY WATER FOR HIGH CAPACITY ICE APPLICATIONS

Insurice PF Triple-7FC-S System: EV9327-73
7FC-S Replacement Cartridge (1 PK): EV9692-71
EC210 Prefilter Cartridge (6 PK): EV9534-26



APPLICATIONS

- ◆ Ice machines

FEATURES • BENEFITS

- ◆ Reduces ice machine problems caused by scale buildup from dirt and dissolved minerals*
- ◆ Easy, sanitary, quick-change filter replacement
- ◆ Reduces scale* and clogging of distribution lines, evaporator plate and pump
- ◆ Proprietary Pentair™ Everpure™ Fibredyne™ II media inhibits the growth of bacteria on the filter media that can decrease product life
- ◆ Balanced cartridge for optimum performance in varying water qualities
- ◆ Exclusive Fibredyne™ II media provides chlorine taste & odor reduction and micro-filters dirt and particles as small as 0.2[†] micron in size by mechanical means.
- ◆ Manifold features a water shutoff, flushing valve and outlet pressure gauge
- ◆ 20" prefilter reduces dirt and particles
- ◆ NSF/ANSI Standard 53 certified to reduce cysts such as *Cryptosporidium* and *Giardia* by mechanical means

INSTALLATION TIPS

- ◆ Choose a mounting location suitable to support the full weight of the system when operating.
- ◆ Never use a saddle valve for connection.
- ◆ Use 3/4" water line.
- ◆ Do not connect system to water-cooled condenser.
- ◆ Install vertically with cartridges hanging down and allow 2 1/2" (6.35 cm) clearance below the cartridge for easy cartridge replacement.
- ◆ Flush cartridges by running water through system for five (5) minutes at full flow.

OPERATION TIPS

- ◆ Replace cartridge when flow rate becomes inconveniently slow or before rated capacity is reached. It is recommended to replace cartridge at least once per year.
- ◆ Change cartridges when capacity is reached or when pressure falls below 10 psi (0.7 bar).
- ◆ Always flush the filter cartridge at time of installation and cartridge change.
- ◆ Inspect Pentair Everpure EC210 Cartridge periodically to determine dirt load.
- ◆ Replace EC210 Cartridge when dirt has penetrated through to the inner core of the cartridge.

SIZING

- ◆ Service Flow Rate:
Maximum 7.5 gpm (28.4 Lpm)
- ◆ Rated Capacity:
75,000 Gallons (283,906 L)

*As tested by Pentair.

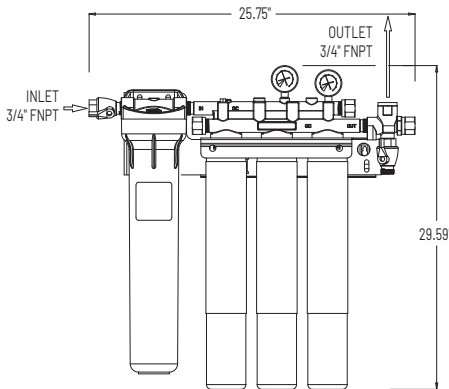
† Validated by ISO 17025 accredited lab for 99.999% reduction of *Pseudomonas diminuta* following the ASTM F838-05 protocol for the validation of 0.2 µm sterilizing grade filters.

EPA Est. No. 002623-IL-002

INSURICE PF TRIPLE 7FC-S SYSTEM

EV9327-73

Insurice PF Triple-7FC-S System: EV9327-73
7FC-S Replacement Cartridge (1 PK): EV9692-71
EC210 Prefilter Cartridge (6 PK): EV9534-26



SPECIFICATIONS

- ◆ **Service Flow Rate**
Maximum 7.5 gpm (28.4 Lpm)
- ◆ **Rated Capacity**
75,000 gallons (283,906 L)
- ◆ **Pressure Requirements**
10 - 125 psi (0.7 - 8.6 bar), non-shock
- ◆ **Maximum Temperature**
35 - 100°F (2 - 38°C)
- ◆ **Overall Dimensions**
29.59" H x 25.75" W x 6.75" D
(75.16 cm x 65.4 cm x 17.1 cm)
- ◆ **Inlet Connection** 3/4"
- ◆ **Outlet Connection** 3/4"
- ◆ **Electrical Connection**
None required
- ◆ **Shipping Weight**
36 lbs (16.33 kgs)
- ◆ **Operating Weight**
45 lbs (20.41 kgs)

The contaminants or other substances removed or reduced by this drinking water system are not necessarily in your water. Do not use with water that is microbiologically unsafe or of unknown quality without adequate disinfection before or after the system.

Since the conditions under which our products may be used are beyond our control, we cannot accept any liability with respect to the improper installation, application and/or use of our products.

For Pentair Everpure Product Warranties visit:
<http://pentair.com/assets/foodservice-warranty>



System Tested and Certified by NSF International against NSF/ANSI Standards 42 and 53 for the reduction of:

STANDARD NO. 42 – AESTHETIC EFFECTS	STANDARD NO. 53 – HEALTH EFFECTS
Bacteriostatic Effects	Mechanical
Chemical Reduction	Filtration
Taste & Odor	Cyst
Chlorine	Turbidity
Mechanical Filtration	
Nominal Particulate Class I	

United States | 1040 Muirfield Drive | Hanover Park, IL 60133 | 800.942.1153 (US Only) 630.307.3000 Main | cseverpure@pentair.com | foodservice.pentair.com
Australia | 1-21 Monash Drive | Dandenong South, Vic 3175 | Australia | 011.1300 576 190 Tel | au.everpure@pentair.com
China | 21F Cloud 9 Plaza, NO 1118 | Shanghai, 200052 | China | 86.21.3211.4588 Tel | china.water@pentair.com
India | Boulevard, B-9/A, 7th Floor - Tower B Sector 62 | Noida - 201301 | 91.120.419.9444 Tel | indiacustomer@pentair.com
Europe | Pentair Water Belgium BVBA | Industriepark Wolfstee, Toekomstlaan 30, B-2200 Herentals | Belgium | +32.(0).14.283.504 Tel | sales@everpure-europe.com
Japan | Japan Inc. | Hashimoto MN Bldg. 7F, | 3-25-1 Hashimoto, Midori-ku, Sagamihara-shi | Kanagawa 252-0143 | Japan | 81.(0)42.775.3011 Tel | info@everpure.co.jp
Southeast Asia | 390 Havelock Road, | #04-01 King's Centre | Singapore 169662 | 65.6768.5800 Tel | cseverpure@pentair.com

All indicated Pentair trademarks and logos are property of Pentair. Third party registered and unregistered trademarks and logos are the property of their respective owners.

©2021 Pentair. All Rights Reserved.

EV9327-73 AU21