



WHOLE HOUSE PAC SERIES

REDUCE THE WORRY HARD WATER CAN CAUSE

Hard water can make your life difficult. Your dishes may appear dirty and have ugly spots and film. Your laundry may come out stiff, scratchy, and faded. Your skin and hair can feel dry and scaly. Your appliances may run inefficiently, so your water and energy bills go up.

A Pentair® PAC4/7 System reduces the calcium, magnesium, and other dissolved minerals that cause hard water before they enter your home, as well as reducing chlorine from your water for refreshing drinking water. So you can enjoy clearer dishes, softer skin and hair, lower water and energy bills, and refreshing water from every tap.

FEATURES AND BENEFITS

- ◆ Reduces minerals so your clothes and dishes come out cleaner, your appliances run smooth, and your water tastes great
- ◆ Automatically regenerates only when necessary, so it uses less salt which saves you time and money
- ◆ Coconut shell-based carbon filtration reduces chlorine effectively, so your water tastes and smells the way it should, from every tap
- ◆ Simple and efficient design for low maintenance and a longer service life



Chlorine
Taste & Odor



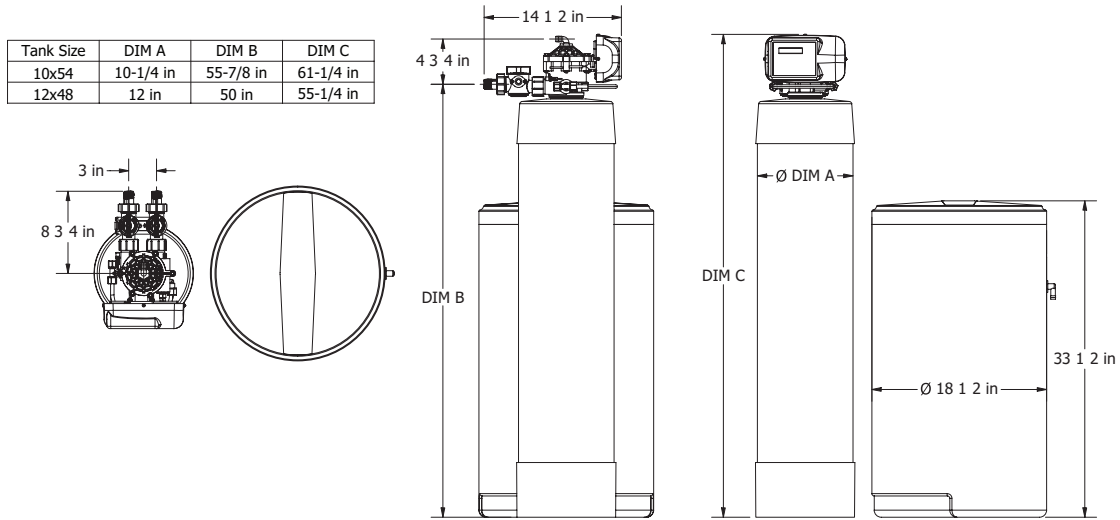
Sediment

**ENJOY THE BENEFITS OF
BETTER WATER TODAY**

Insist on Pentair.
Learn more at pentair.com

SPECIFICATIONS

	PAC4			PAC7		
PART NOS.	35921	32924	BB10	35922	35925	BB10
Product	Pentair Water Softening System 1.5	Carbon Filtration System 1.5	Sediment Filter	Pentair Water Softening System 2.0	Carbon Filtration System 2.0	Sediment Filter
Solves	Hard water reduction	Chlorine taste & odor reduction	Sediment reduction	Hard water reduction	Chlorine taste & odor reduction	Sediment reduction
Number of Bathrooms	1 - 3 bath			4 - 6 bath		
Resin (cu ft)	1.5	1.5	N/A	2.0	2.0	N/A
Resin Tank Size (dia x h)	10" x 54"	10" x 54"	N/A	12" x 48"	12" x 48"	N/A
Brine Tank Size (dia x h)	18" x 33"	N/A	N/A	18" x 33"	N/A	N/A
Backwash / Flow Rate (gpm)	2.5	2.5	N/A	3.5	3.5	N/A



CERTIFICATIONS



These water softeners have been Tested and Certified by the WQA against NSF/ANSI Std. 44 for material safety, structural integrity and softener performance, NSF/ANSI Std. 372 for "lead free" compliance and CSA B483.1

These Carbon Filters have been Tested and Certified by the WQA against NSF/ANSI/CAN 61 for material safety only and NSF/ANSI Std. 372 for "lead free" compliance.



2361 Mason Avenue, | Suite 100 | Daytona Beach FL, 32117 | United States
 P: 877.842.1635 | Technical Support: 855.349.7771 | tech-support@pentair.com | pentair.com

© 2021 Pentair. All Rights Reserved. All indicated Pentair trademarks and logos are property of Pentair.
 4005815 Rev A AP21