



TEMPERATURE SENSOR KIT
FOR USE WITH INTELLICENTER™, EASYTOUCH®,
INTELLITOUCH®, SUNTOUCH® AND COMPOOL®
TO EASYTOUCH UPGRADE CONTROL SYSTEMS



INSTALLATION
GUIDE

IMPORTANT SAFETY INSTRUCTIONS
READ AND FOLLOW ALL INSTRUCTIONS
SAVE THESE INSTRUCTIONS

Technical Support

(800) 831-7133
8.00 am to 8.00 pm ET
8.00 am to 5.00 pm PT

Kit contents

The following items are included in the water/air temperature sensor replacement kit:

Temperature Sensor Assembly - P/N 520872

- Temperature Sensor, 10k Temperature Sensor - P/N 520326
- Temperature Sensor, 10k Ohms, 40 ft - P/N 521583
- Temperature Sensor, 10k Ohms, 20 ft - P/N 521584
- Hose Clamp (1-7/8" - 5" Clamp) - P/N 476168
- Installation Instructions (this manual)

Related manuals

IntelliCenter™ Control System User's Guide (P/N 522990)
IntelliTouch® Control System User's Guide (P/N 521075)
EasyTouch® Control System User's Guide (P/N 521044)
SunTouch® Control System User's Guide (P/N 520785)

Water/Air Temperature Sensor

The sensor can be used as a water or air sensor. The 10k Ohms Temperature Sensor can be used with IntelliCenter, IntelliTouch, EasyTouch, SunTouch and Compool to EasyTouch Upgrade Control Systems.

Sensor Installation

Note: See page 4 and 5 for circuit board sensor connector locations.

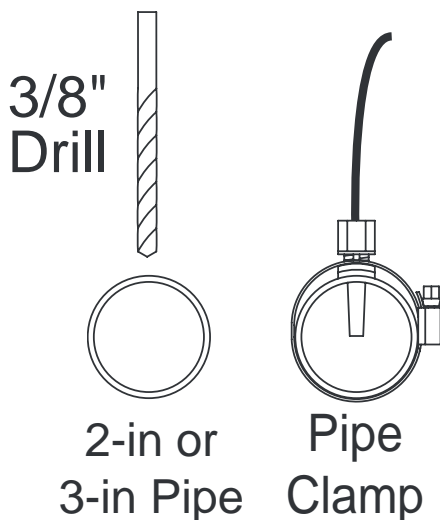
IMPORTANT NOTE: Replacing the existing Water Temperature Sensor.

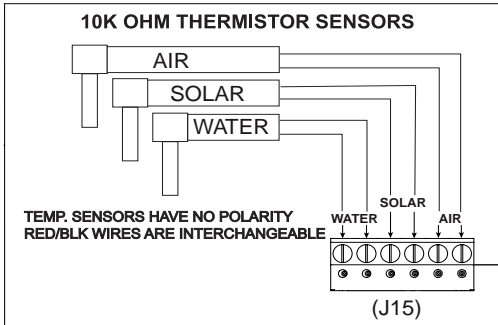
When replacing the existing water temperature sensor, be sure to use drill a 3/8th inch hole into the 3-in or 2-in pipe for the new sensor. Note: The existing water sensor hole is 5/16th inch, and will not fit the new replacement sensor.

1. The existing water sensor is located between the filter pump and the filter. Remove the sensor.
2. Drill a 3/8th inch hole in the 3-in or 2-in pipe. Position the hose clamp over the replacement sensor and gently tighten around pipe.
Caution: Do not overtighten clamp.
3. Route the cable up through the low voltage compartment of the Load Center or Power Center to the Outdoor Control Panel circuit board.
4. Strip wires back 1/4 inch. Connect the sensor wires to **WATER** screw terminals. See page 4 and 5 for screw terminal location.

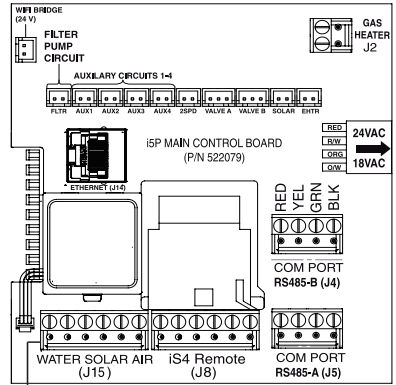
Ambient Air Temperature (Freeze Protection) Sensor Replacement

- Mount sensor in open air, in shaded area, away from air conditioners. Route the cable up through the low voltage compartment of the Load Center or Power Center to the Outdoor Control Panel circuit board. Use cable ties to fasten sensor cable to pipes. Strip wires back 1/4 inch. Connect the sensor wires to **AIR** screw terminals. See page 4 and 5 for screw terminal location.

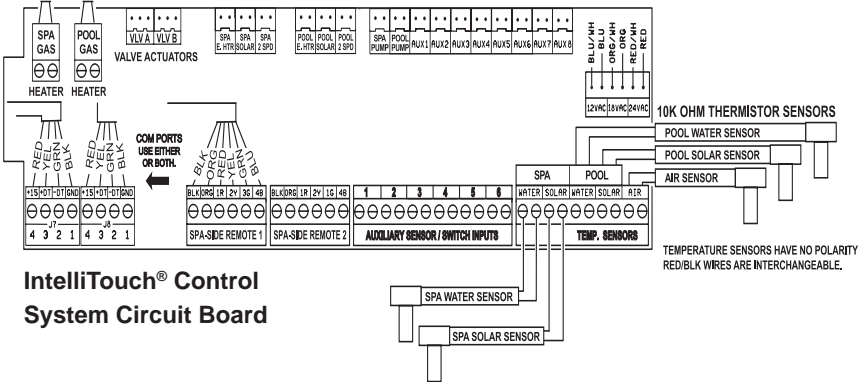




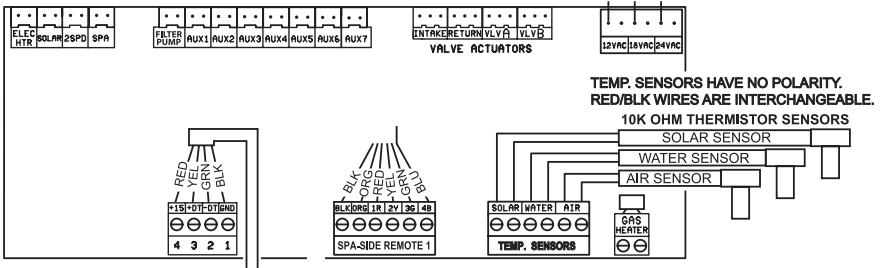
IntelliCenter Control System Circuit Board
(Air, Water and Solar sensor location)



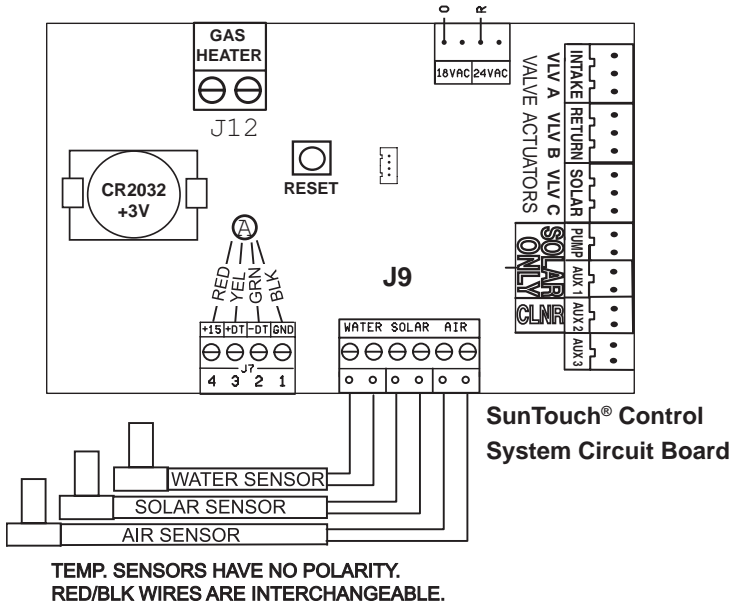
IntelliCenter™ Control System Circuit Board



IntelliTouch® Control System Circuit Board

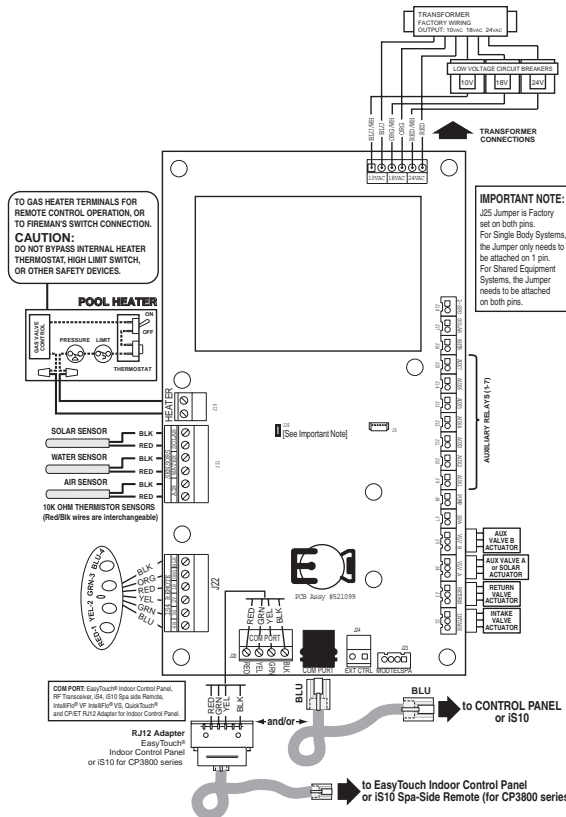


EasyTouch® Control System Circuit Board



TEMP. SENSORS HAVE NO POLARITY.
RED/BLK WIRES ARE INTERCHANGEABLE.

COMPOOL® TO EASYTOUCH® WIRING DIAGRAM



Compool® EasyTouch® Upgrade Control System Circuit Board



1620 HAWKINS AVE., SANFORD, NC 27330 • (919) 566-8000
10951 WEST LOS ANGELES AVE., MOORPARK, CA 93021 • (805) 553-5000

WWW.PENTAIR.COM

All Pentair trademarks and logos are owned by Pentair. Intellicenter™, EasyTouch®, IntelliTouch®, SunTouch®, Compool® are trademarks and/or registered trademarks of Pentair Water Pool and Spa, Inc. and/or its affiliated companies in the United States and/ or other countries. Because we are continuously improving our products and services, Pentair reserves the right to change specifications without prior notice. Pentair is an equal opportunity employer.

© 2019 Pentair Water Pool and Spa, Inc.
This document is subject to change without notice.



P/N 520326 Rev.E 5/2019